

# 1/10th 4WD Electric Power R/C CRAWLER

## Specifications:

LENGTH	WIDTH	HEIGHT	WHEEL BASE	DIAMETER OF WHEEL	WIDTH OF WHEEL	GEAR RATIO	SERVO	WEIGHT
503mm	228mm	245mm	313-315mm	115mm	45mm	1:37	9kg	2090g

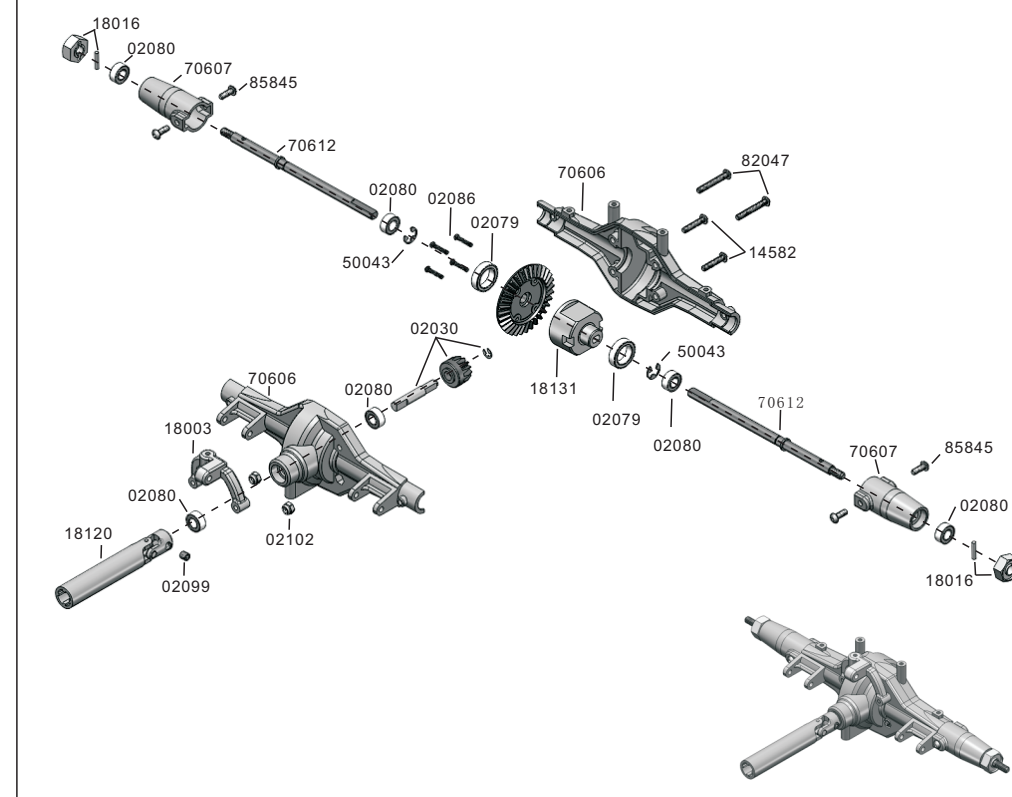
### Spare Part

70601- ESC Caster Mounts	70602- Chassis	70603- Battery Mount	70604- Servo Plate W/Servo Mount	70605- Front/Rear body plates
70606- Front/Rear Gear Box	70607- Rear Straight Axle Cover	70608- Gear Box Set	70609- Front Body Post	70610- Rear Body Post
70611- Shock Absorber	70612- Rear Shaft	70613- Front Upper Link (65mm)	70614- Rear Upper Link (86mm)	70615- Front Lower Link (93mm)
70616- Rear Lower Link (102mm)	70617- Steering Link (108mm)	70618- servo link(150mm)	70619- Side Guard	70620- ESC Mount
70621- Battery Tray	70622- Battery Mount	70623- 1.9 Inch Tire With Memory Foam	70624- 1.9 Inch Pre-mount Tire & Wheel Set (Grey)	03011- Motor(RC540)
70627- Drive Shaft (L/R) 2P	68155- Wheel Rims	68137-Tire With Memory Foam(Optional)	68162-Pre-Mounted Tire & Wheel Set(White)Option	18128- Main Gear set (87T)
18129- Transmission Gear Set(20T-28T-53T)	60161- Pinion Gear(18T)	02030- Drive Gear	18003- Center Link Ball Mounts	18004- Steering Mount 2P

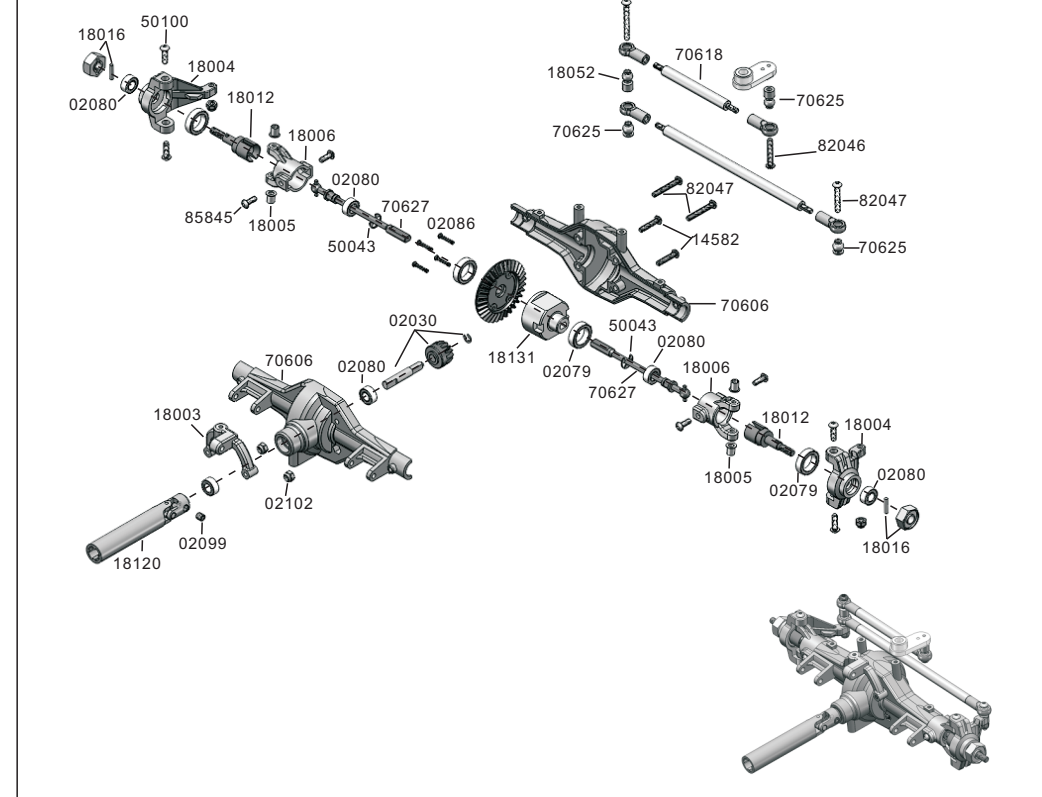
### Spare Part

18006 - Caster Mounts (L/R)	68123-Bumper mount	18012 - Wheel Drive Shaft	18120- Universal Drive Dogbone	18166-Transmission Gear Hardware Set (Shaft & Pin)
70105- LED Light Clip	68121-Front Bumper	68122-Rear Bumper	18130 - Middle Gear Box	18131 - Solid Axle Hub
Hex2*6	18009 - Connect Box W/Main Gear	18155-Aluminum Motor Mount With Mounting Bushing	18005 - King Pin Bushing	02079 - Oil Bearing $\phi 15 \times \phi 10 \times \phi 4$
18016 -Wheel Hex. W/Pins(2*10)	18052 - Ball Stand $\phi 5.9$ (Short)	70625- Ball Stand $\phi 5.9$ (Long)	14592 - Grub Hex. Screw M3*3	02080 - Oil Bearing $\phi 10 \times \phi 5 \times \phi 4$
18038 - Nylon Nut M2.5	02102-Nylon Nut M3	70129- Flange M4 Lock Nut	50078- Servo Washers $\phi 3 \times 8 \times 0.8\text{mm}$	02086-Round Head Self-Tapping Screw 2*10 10P
85845 - Button Head 3*8 Taping Hex Screw 4P	86074-Button Head 3*10 Taping Hex Screw 4P	85846-Button Head 3*14 Taping Hex Screw 4P	85837-Countersunk 3*10 Taping Hex Screw 12P	85826-Counter sunk 3*16 Taping Hex Screw 4P
82044-Counter sunk 3*22 Taping Hex Screw 4P	82045 - Button Head 3*8 Metric Hex Screw 8P	50100-Button Head 3*10 Metric Hex Screw 8P	14582-Button Head 3*14 Metric Hex Screw 10P	82046-Button Head 3*18 Metric Hex Screw 8P

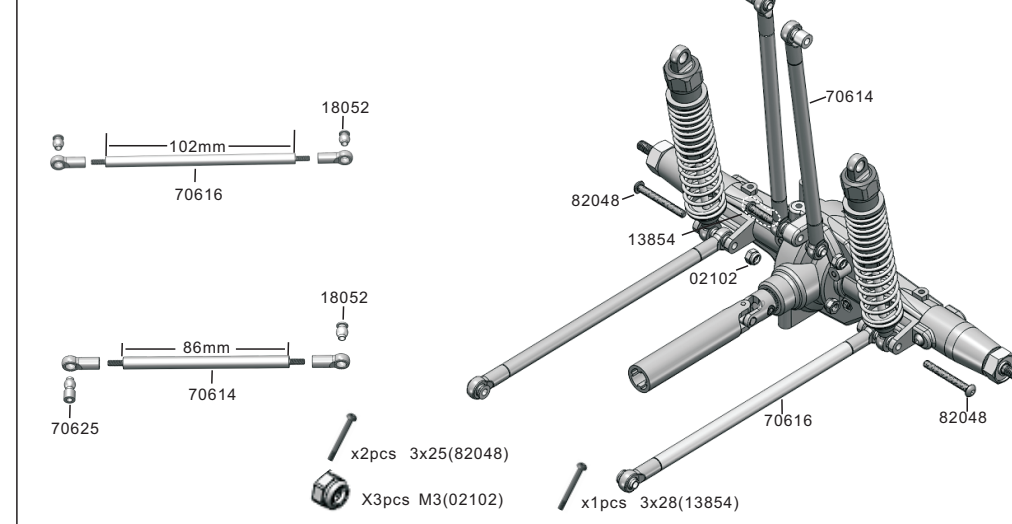
### Rear Drive System Assemble



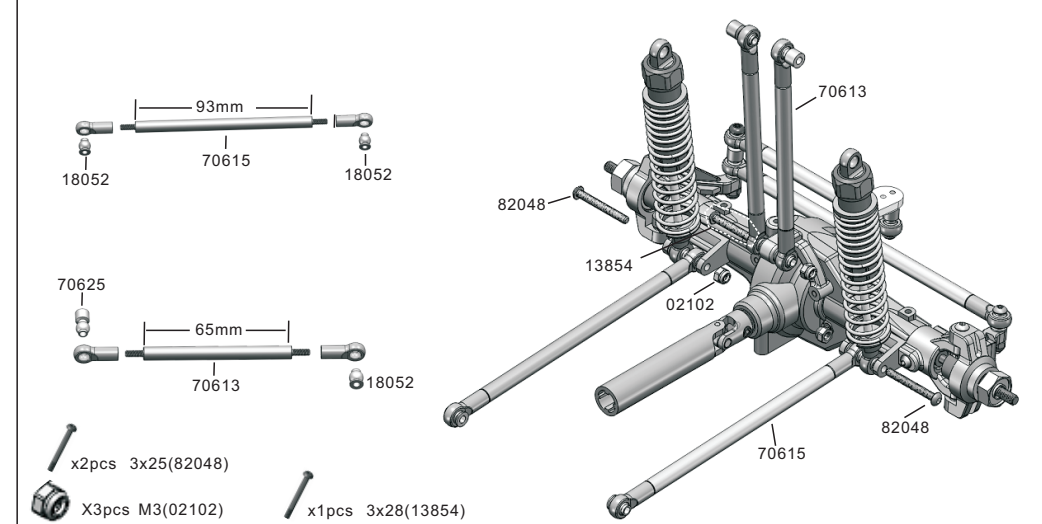
### Front Drive System Assemble



### Rear Component Assemble



### Front Component Assemble



### Spare Part

82047-Button Head 3*20 Metric Hex Screw 8P	82048-Button Head 3*25 Metric Hex Screw 8P	13854 -Button Head 3*28 Metric Hex Screw 8P	60253 - Rear Lower Suspension Arm Screw 3*29mm	SP9901-Servo 9KG (Optional)
13855 - ESC	60201 - Batter Strap 250mm	03200-Battery Ni-MH (7.2V 2000mAh)	50043 - E-Clips $\phi 4\text{mm}$	13837-Gasket (6.8*5*2)
			02053-Body Clip	

### Upgradable Optionals

706001- ESC Caster Mounts	706002- Chassis	706003- Battery Mount	706004- Servo Plate W/Servo Mount	706005 - Front/Rear body plates
706006 - Rear Straight Axle Cover	706007 - Front Body Post	706008- Rear Body Post	680026-Bumper mount	706010-Front Gear Box (Shell Only) AL.
180001 -Center Link Ball Mounts 2P	180002- Side Guard(L/R)	180003- Caster Mounts (L/R)	180011- Universal Drive Dogbone	180016-Wheel Hex Mount W/Pins (2*10) (AL.)
180009-Connect Box (W/Gear 38T) (AL.)	706011-F/R Bumper			

### Center Transmission Assemble

