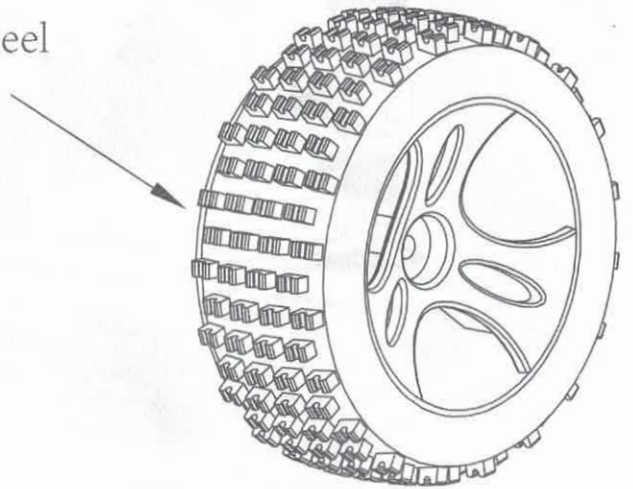
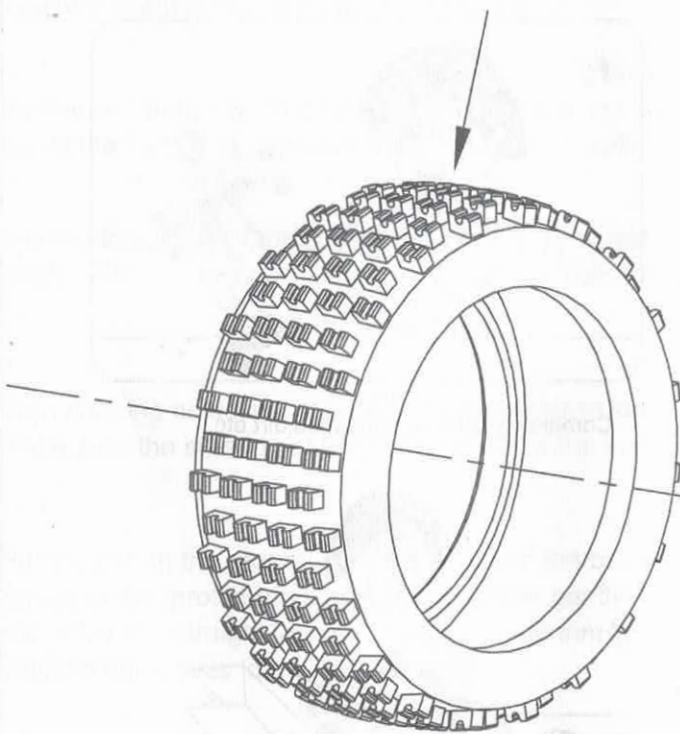


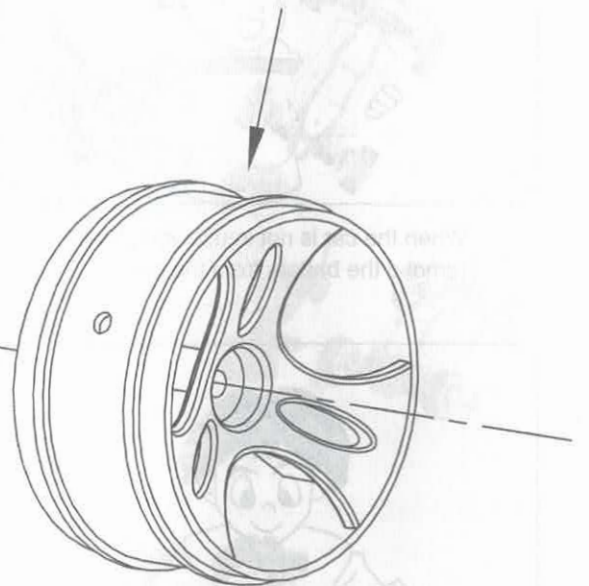
A959-01
The front wheel

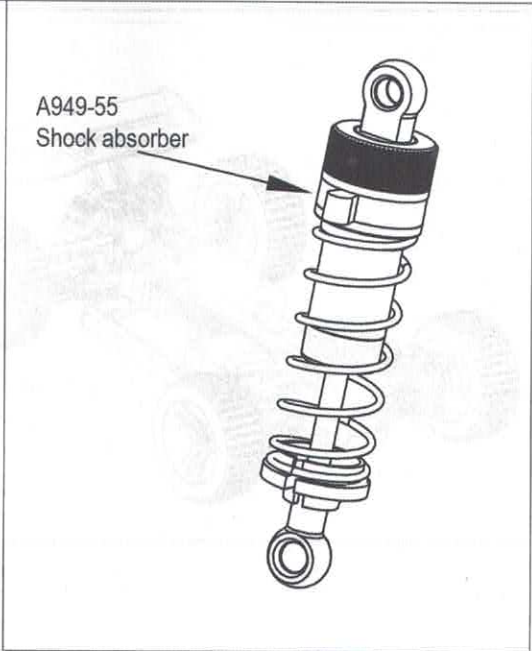
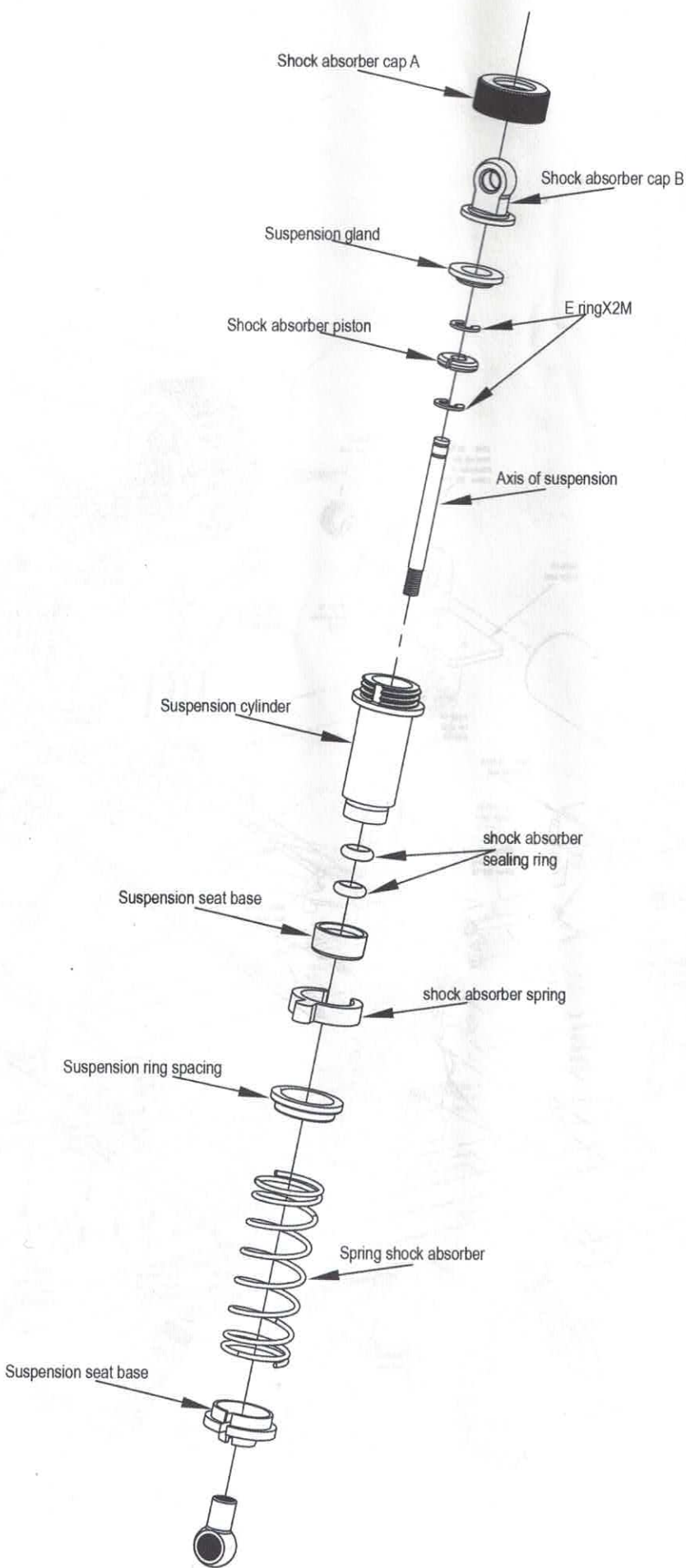


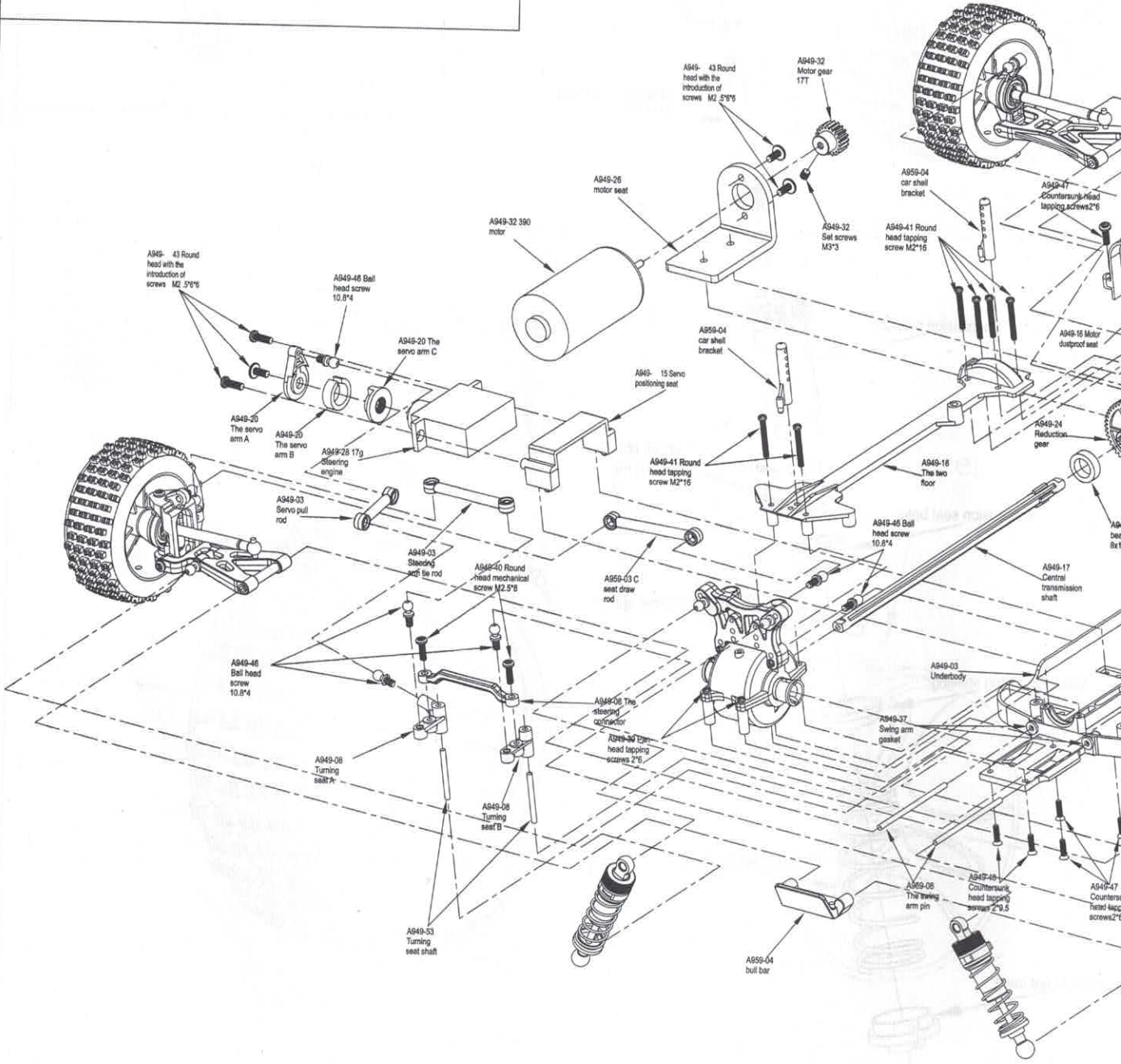
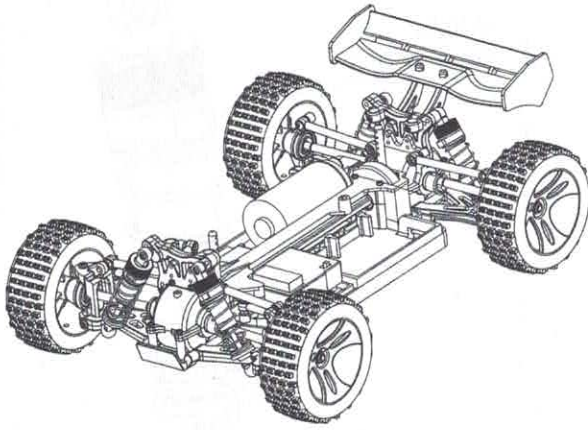
Round leather

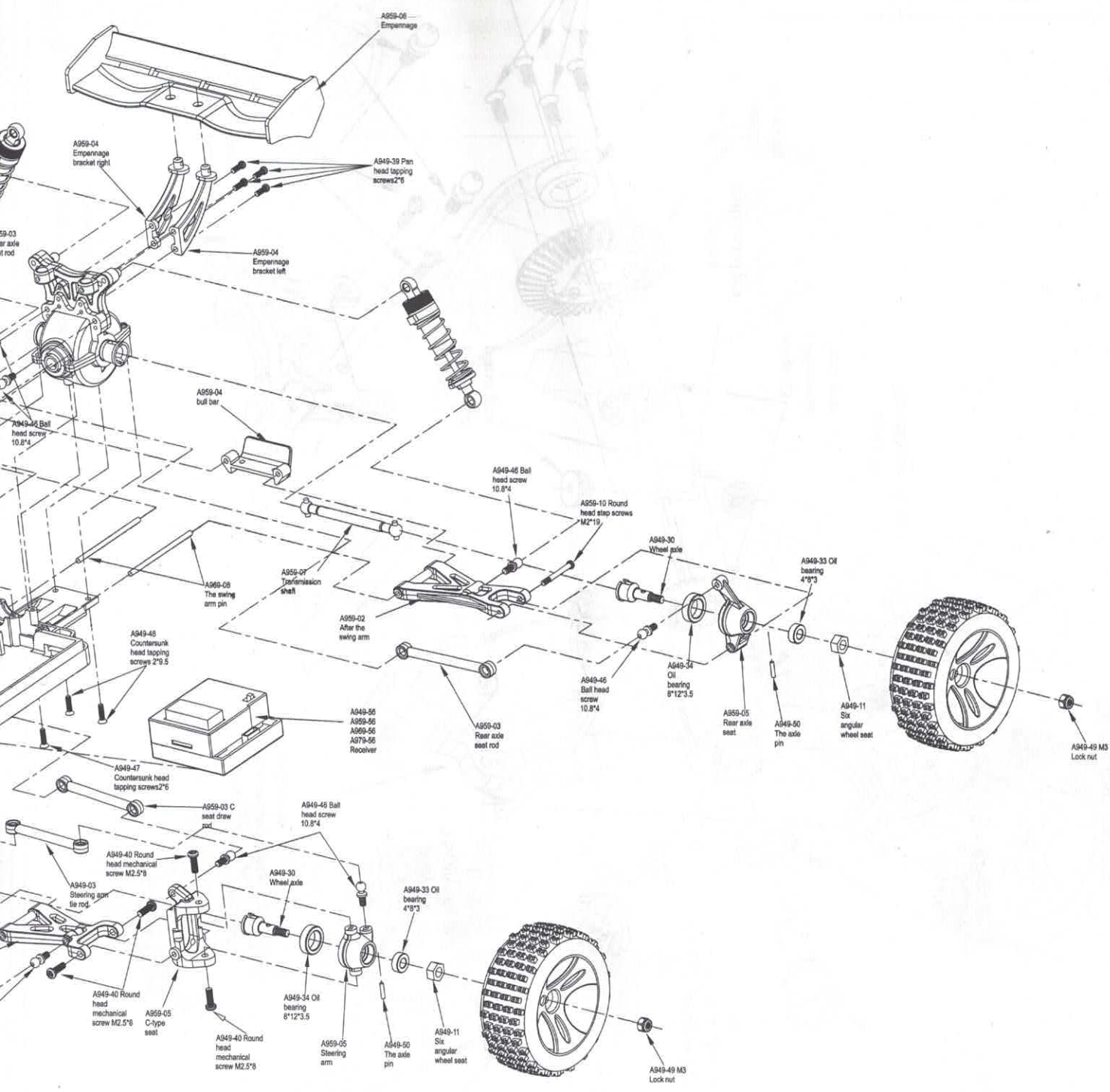


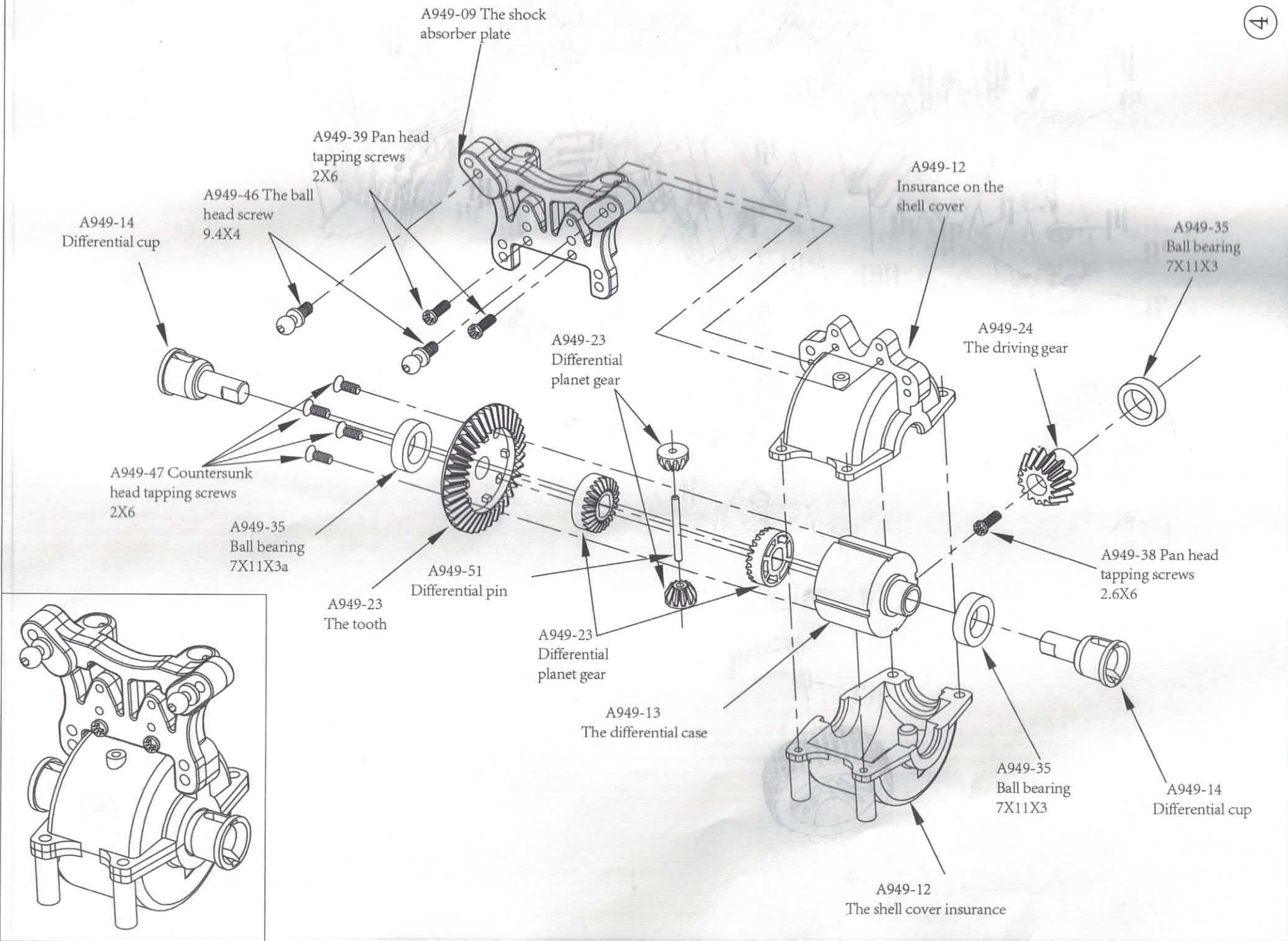
Wheel

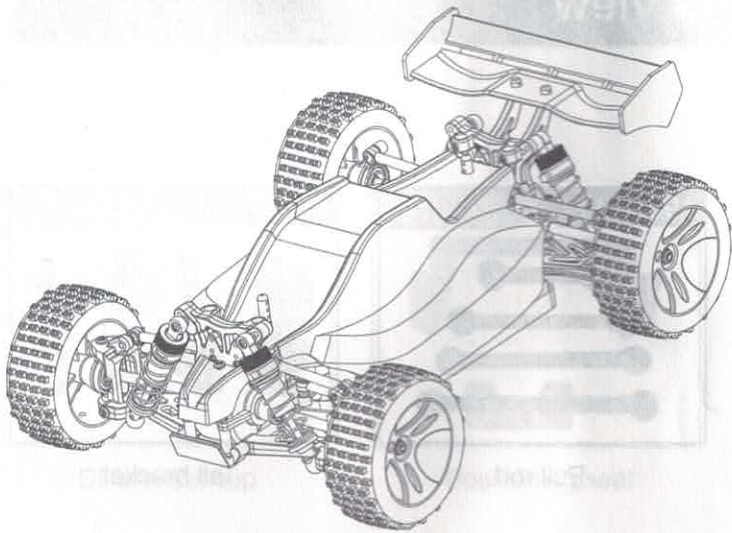




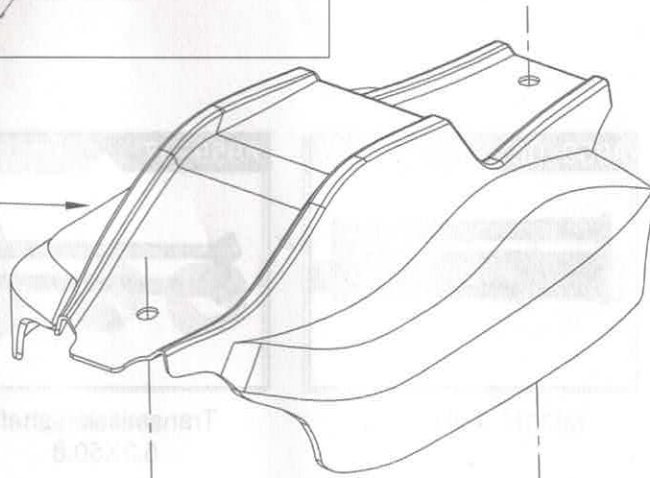




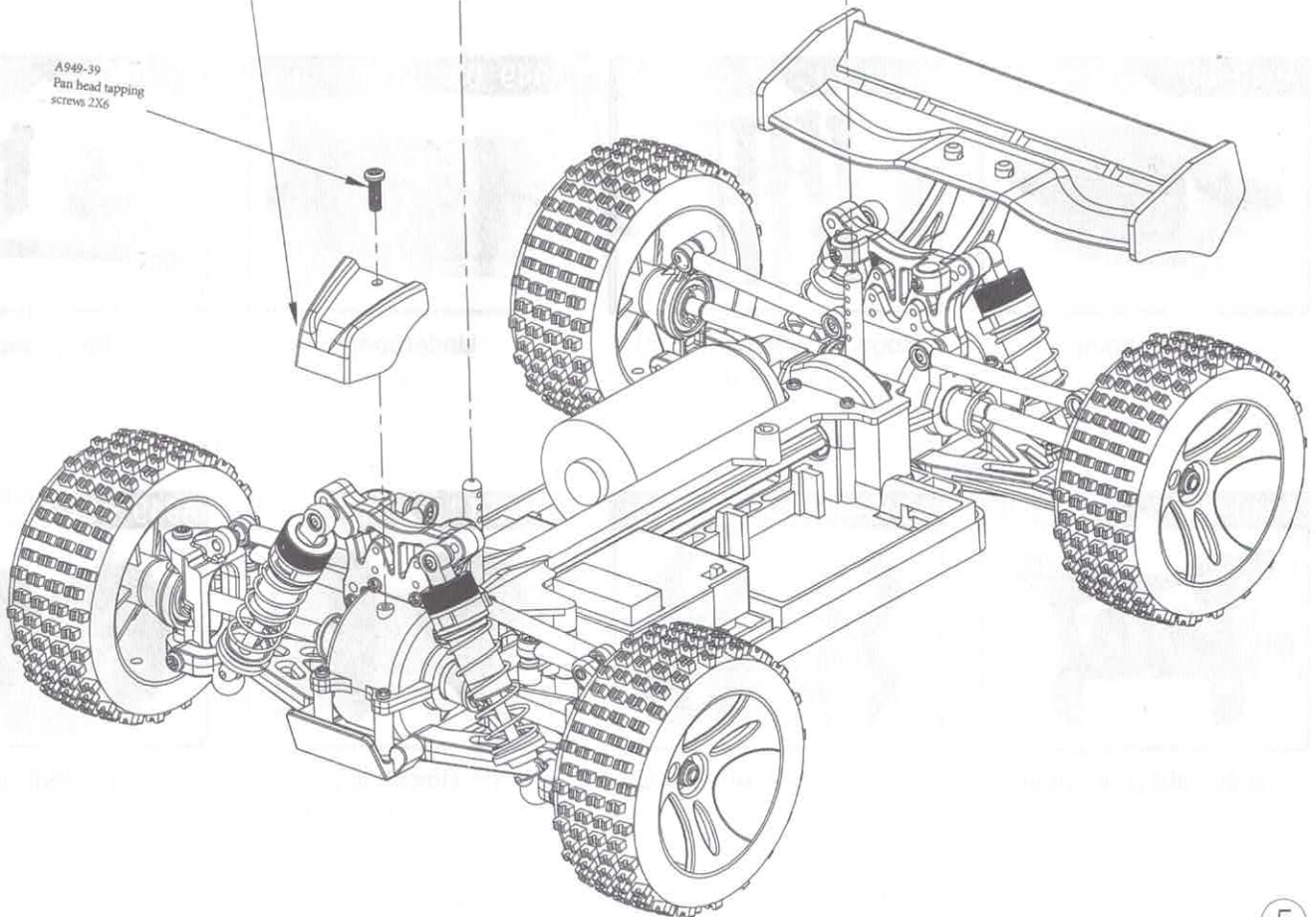




A959-08
A959-09
Che Kehong

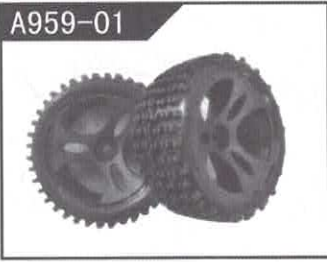


A949-39
Pan head tapping
screws 2X6



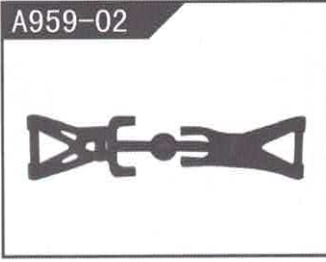
Sale parts view

A959-01



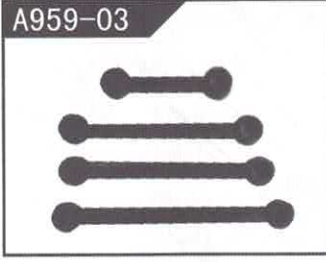
Wheels

A959-02



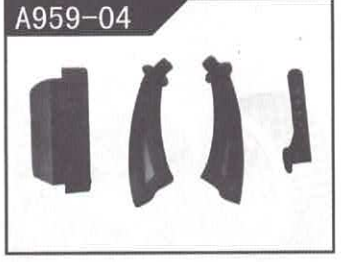
Swing arm

A959-03



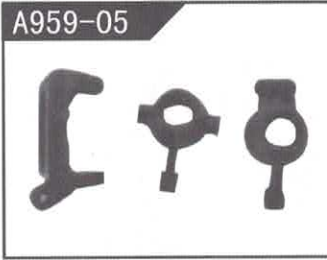
Pull rod

A959-04



Tail bracket

A959-05



C Seat

A959-06



Tail

A959-07



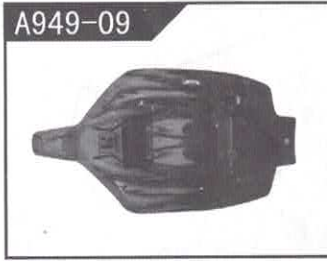
Transmission shaft
5.3X50.8

A959-08



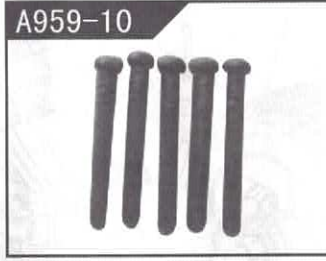
Car shell blue

A949-09



Che Kehong

A959-10



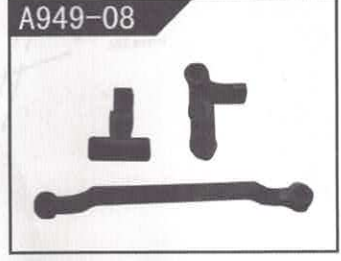
Round head screw level
M2X17.5

A949-03



Underbody

A949-08



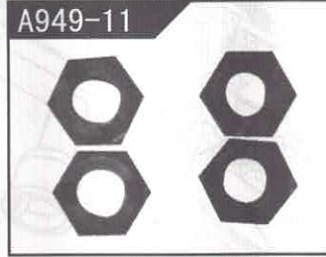
Turning seat

A949-09



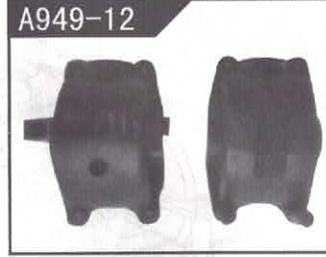
shock absorber plate

A949-11



Six angular wheel seat

A949-12



Box shell

A949-13



Differential case

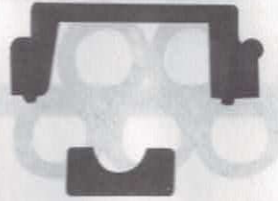
Sale parts view

A949-14



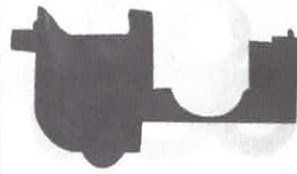
Differential cup

A949-15



Positioning seat

A949-16



Motor dustproof seat

A949-17



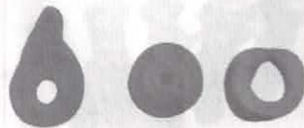
Central transmission shaft

A949-18



Two floor

A949-20



Servo arm

A949-22



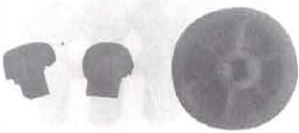
Magic stick 210MM

A949-23



Differential mechanism

A949-24



Reduction gear

A949-26



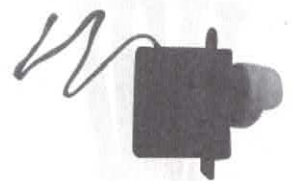
Motor seat

A949-27



Lithium battery 7.4V
1100mah

A949-28



16g Steering gear

A949-29



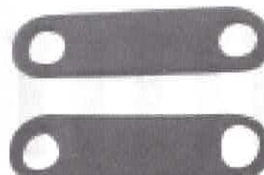
Motor heat shield

A949-30



Shaft 9 X 22.1

A949-31



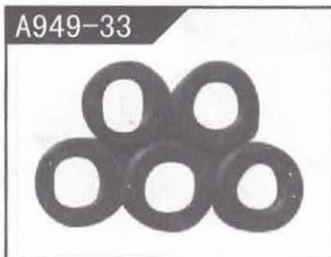
Motor fixed screw gasket

A949-32

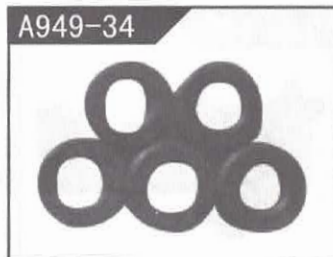


390 Electric machinery

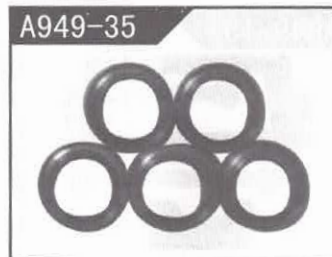
Sale parts view



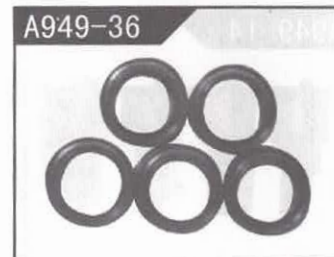
Oil-retaining bearing 4X8X3



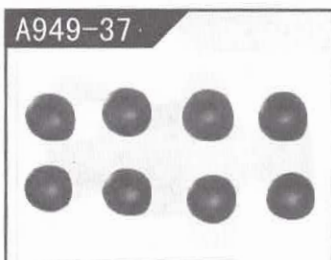
Oil-retaining bearing 8X12X3.5



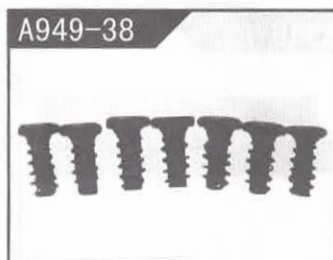
Ball bearing 7x11x3



Ball bearing 8x12x3.5



Swing arm gasket 1x5



Round head self-drilling screw 2.6x6



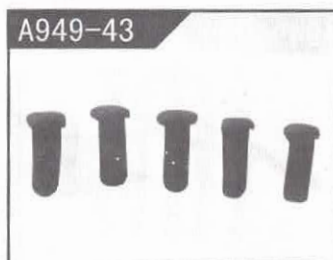
Round head self-drilling screw 2x6



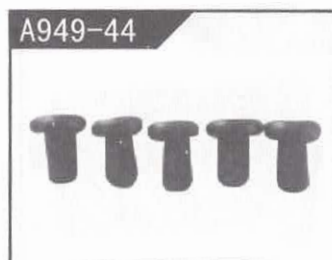
Round head screw M2.5*8



Round head self-drilling screw 2x16



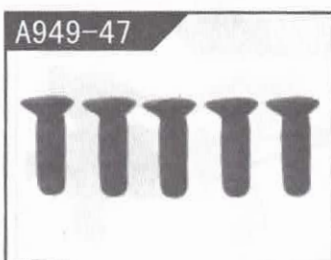
Round head screws with dielectric M2.5X6X6



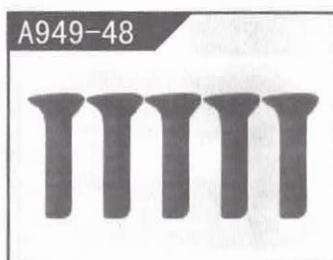
Flat head screw M3X5



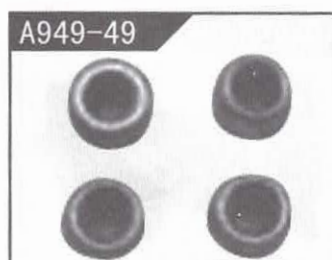
Ball head screw 10.8x4



Countersunk head tapping screws 2X6



Countersunk head tapping screws 2X7.5



M3 Lock nut



Axle pin 1.5X6.7

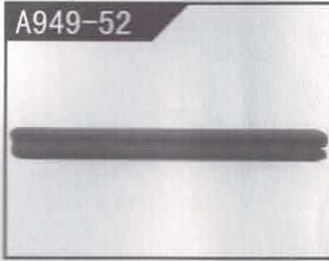
Sale parts view

A949-51



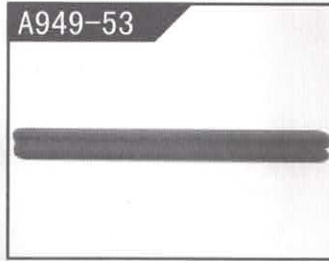
Differential pin 1.5X16

A949-52



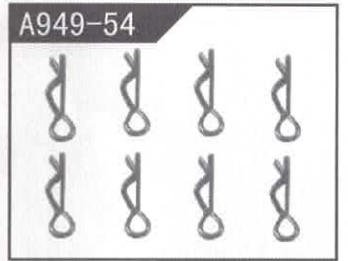
Swing arm pin 2X37

A949-53



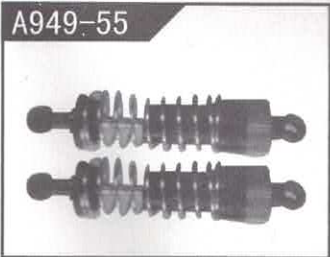
Turning seat shaft 2X20.5

A949-54



R Pin

A949-55



Shock absorber

A949-56



Receiver

A949-57



2.4G Remote control

A949-58



Charger