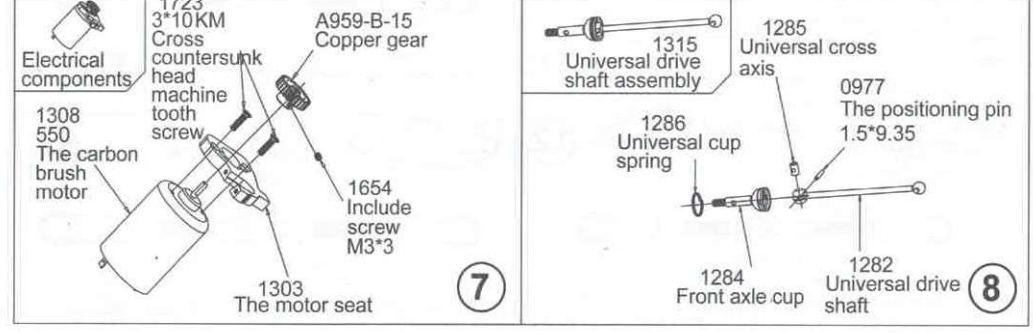
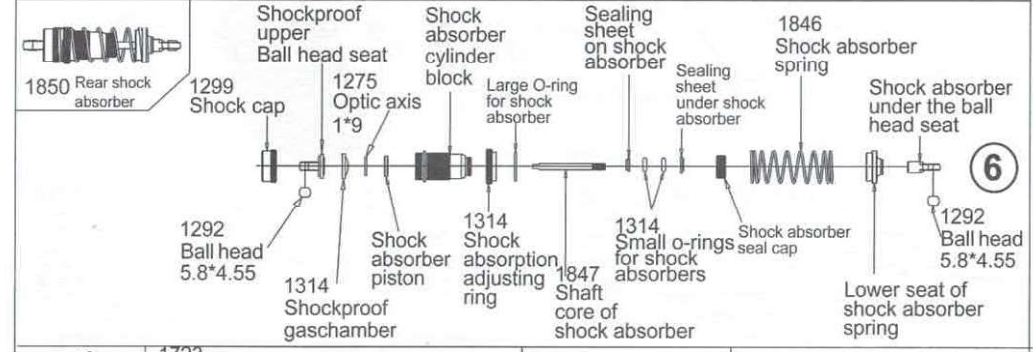
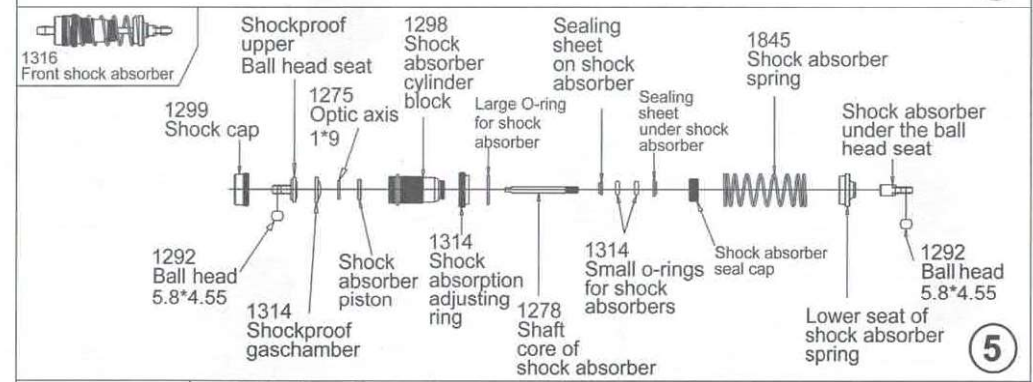
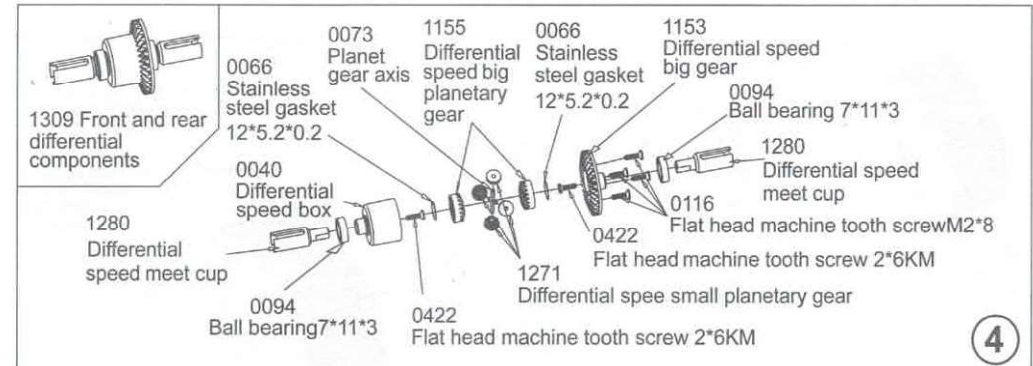
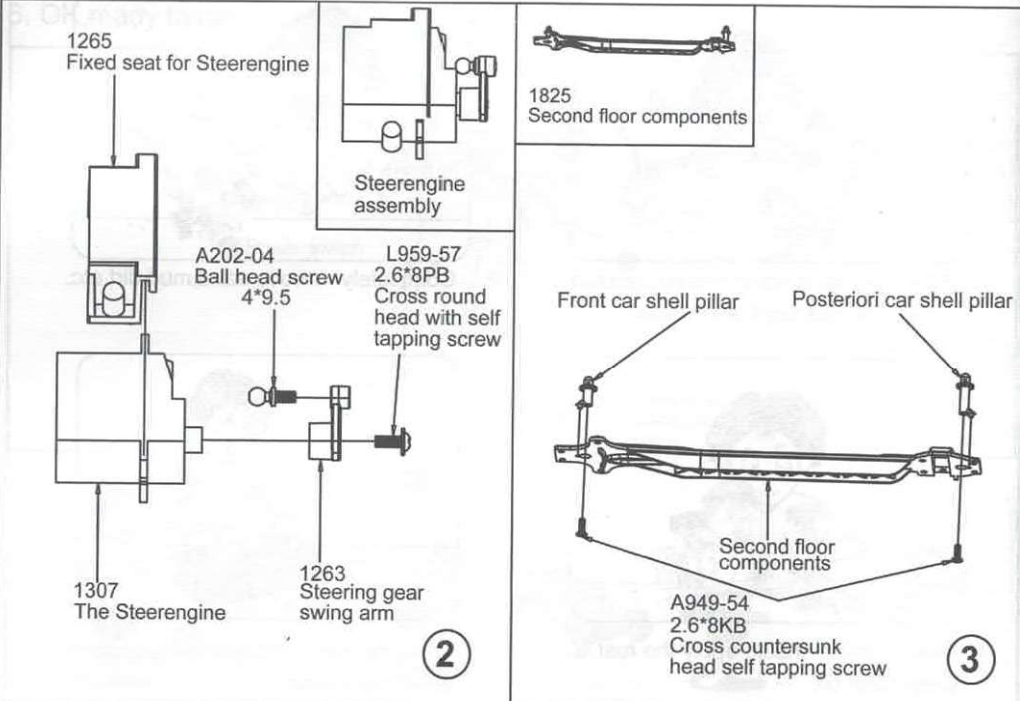
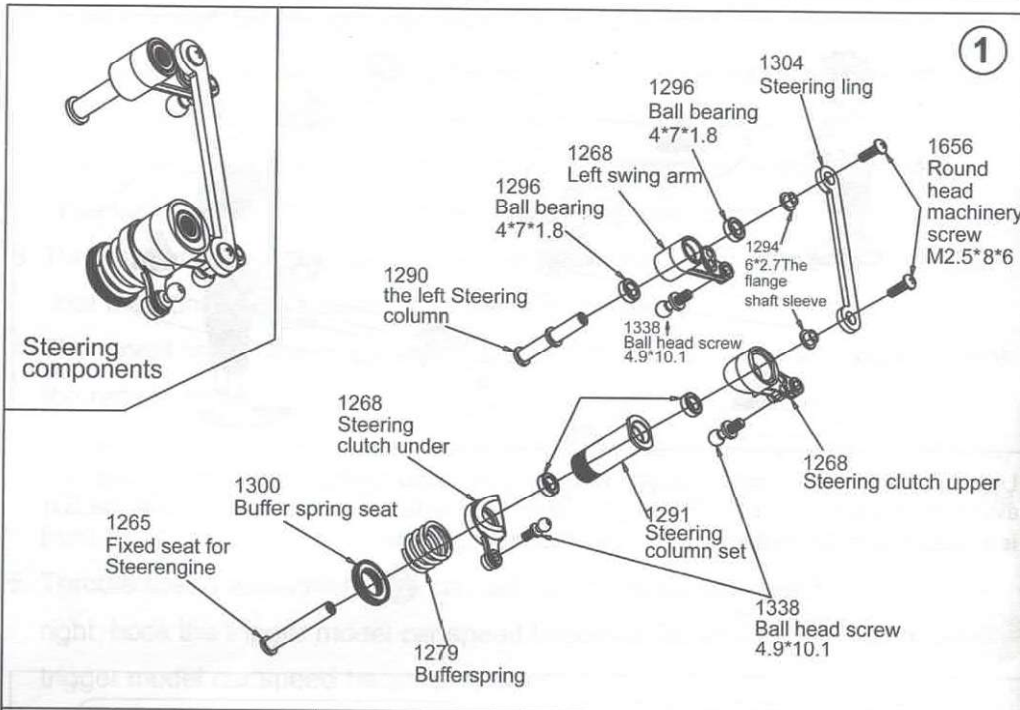
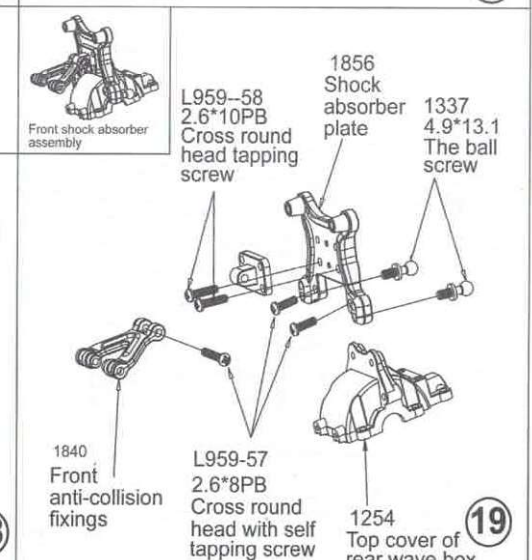
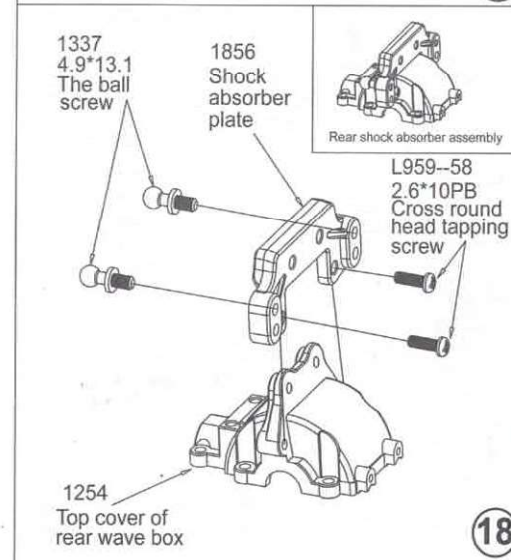
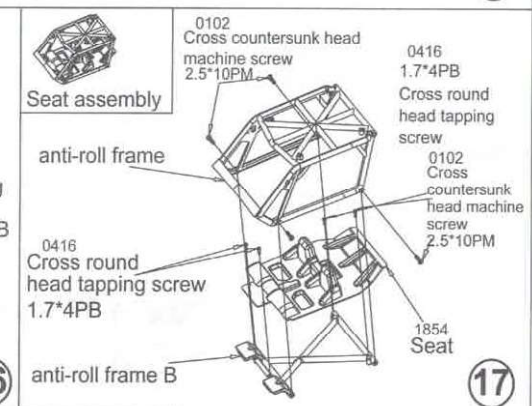
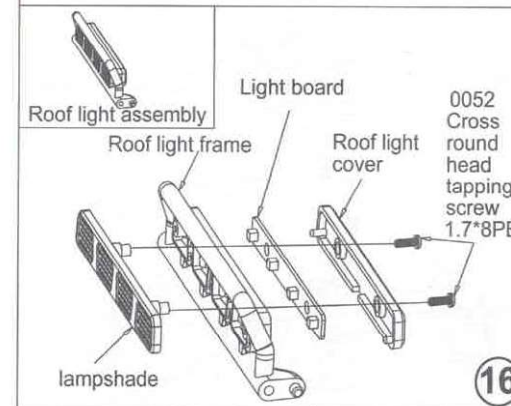
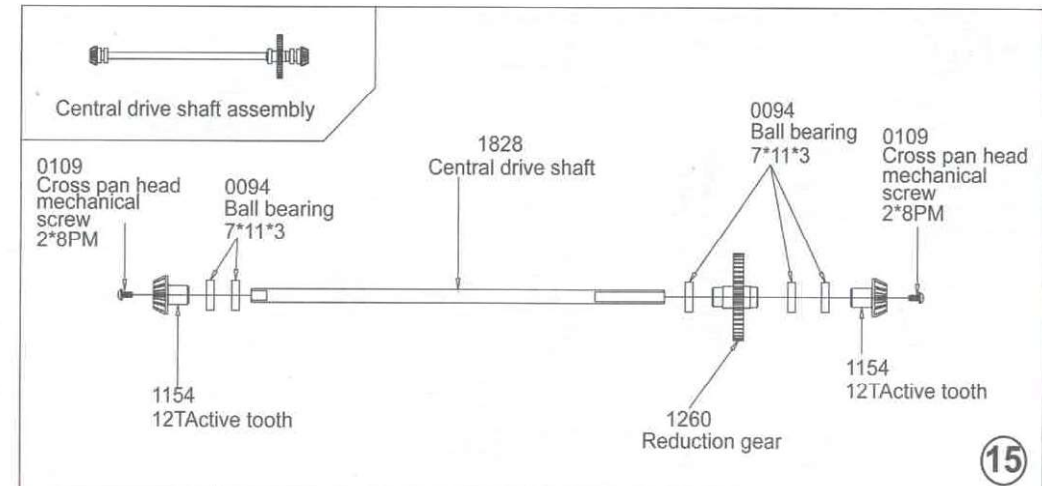
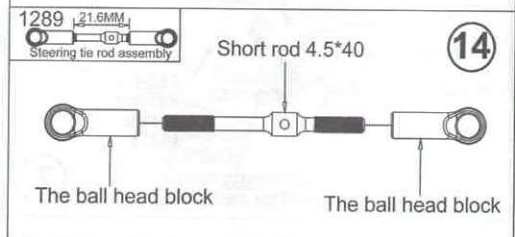
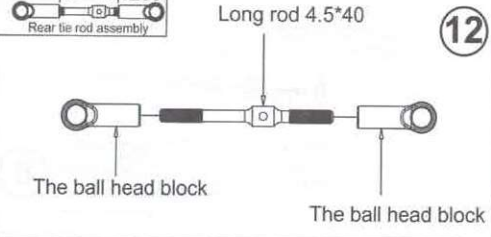
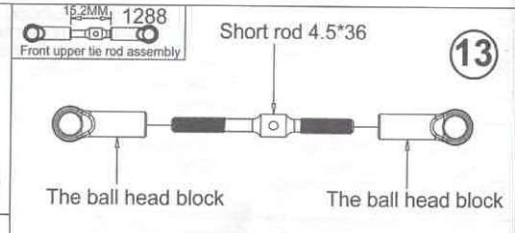
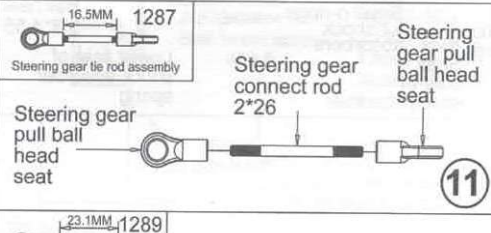
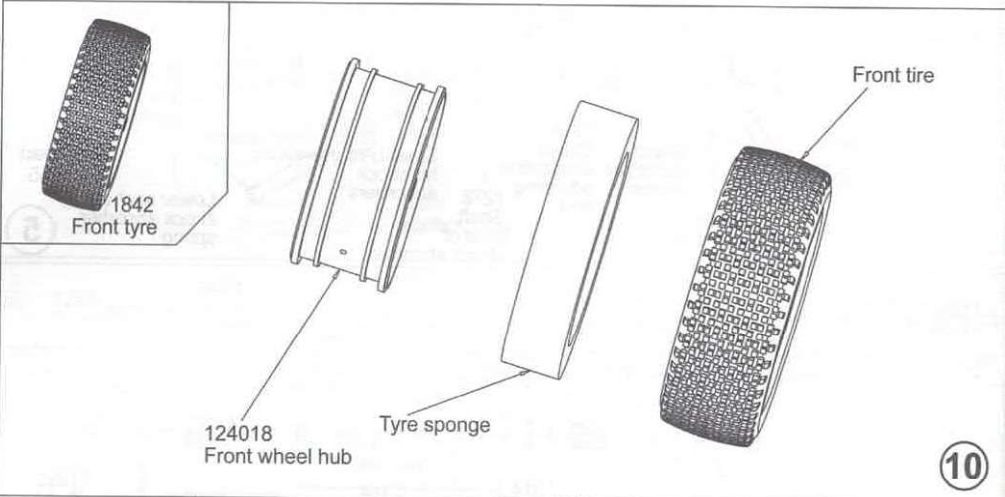
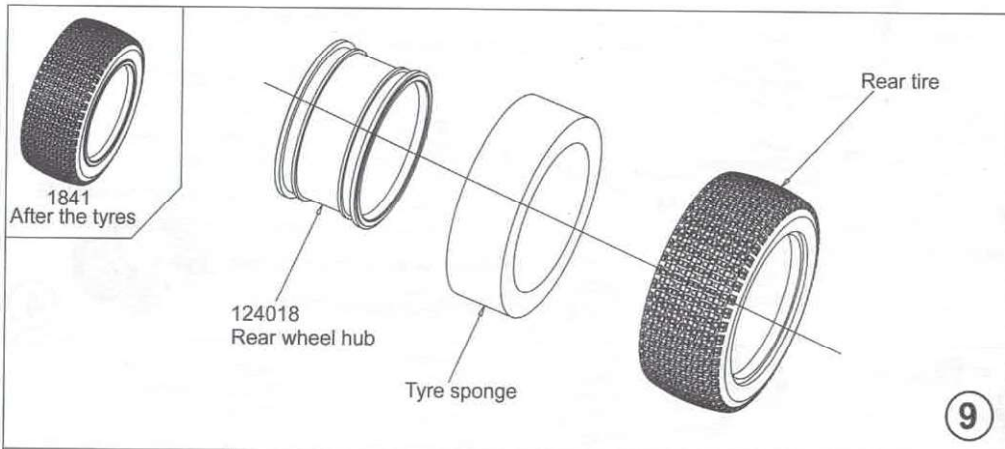
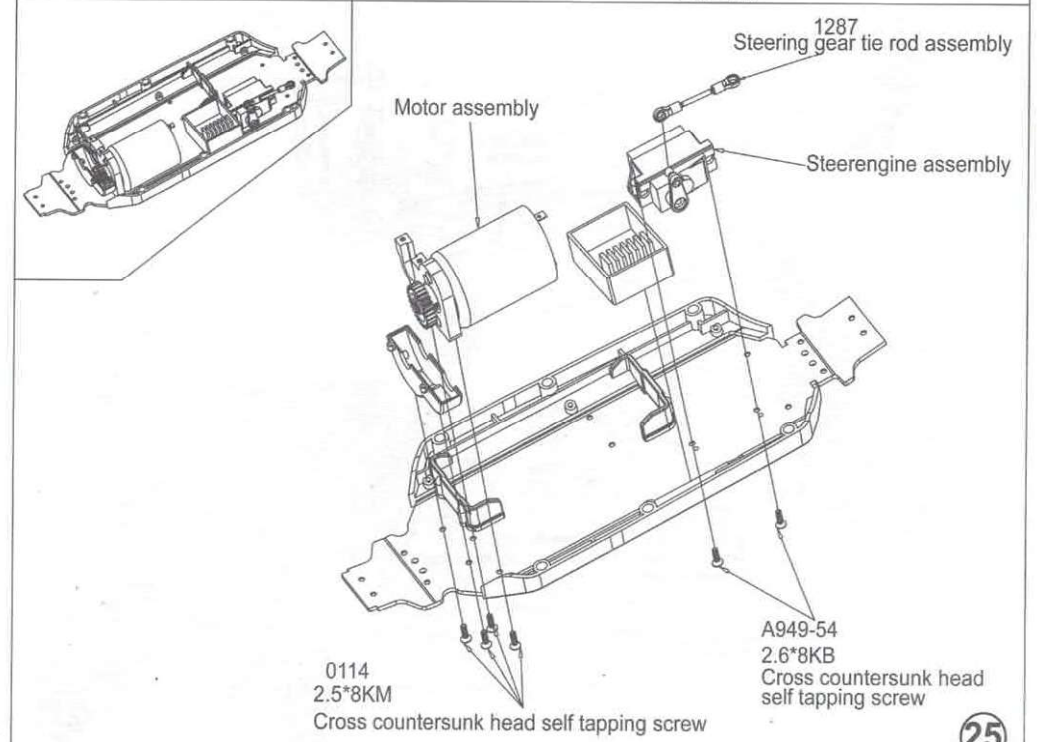
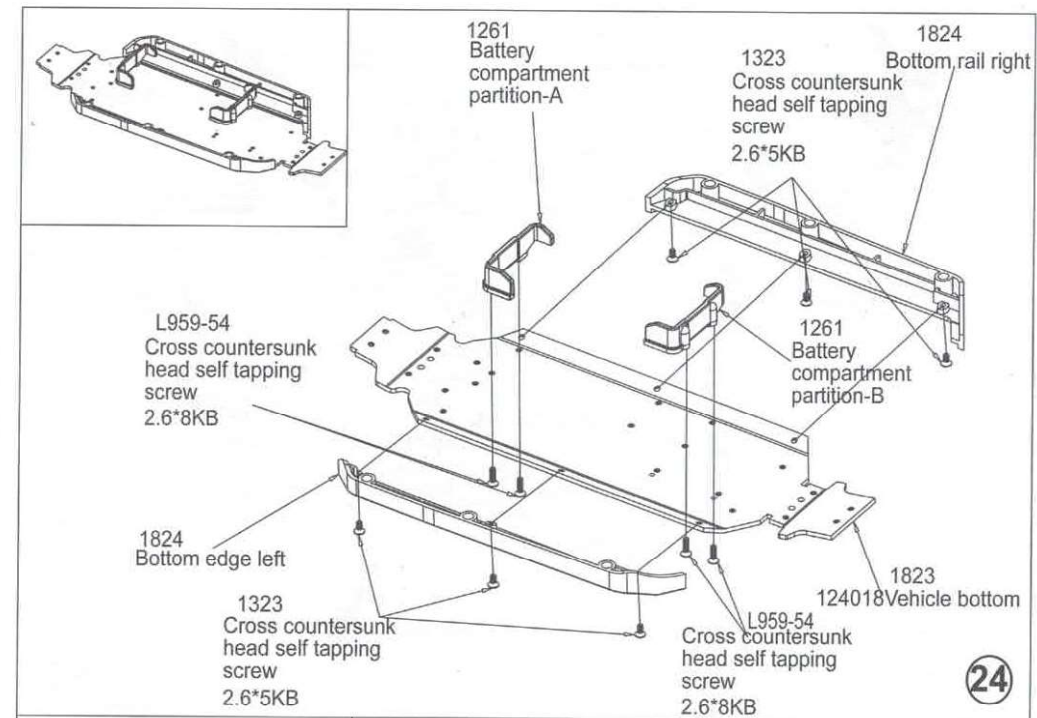
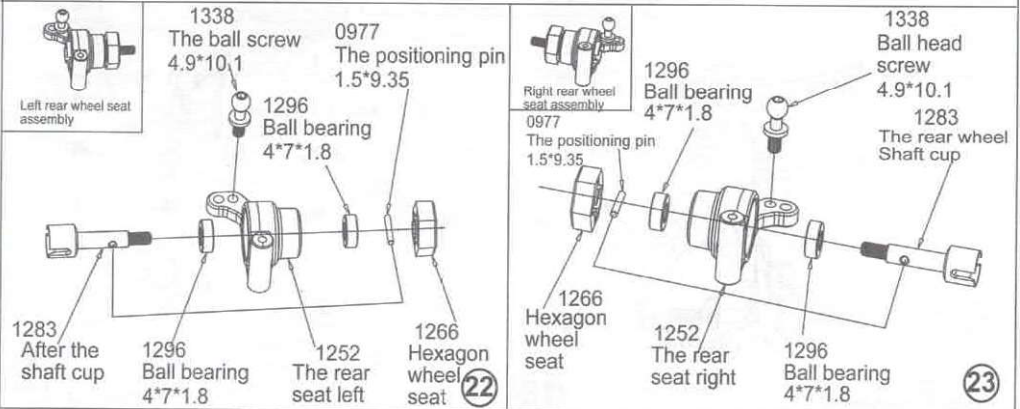
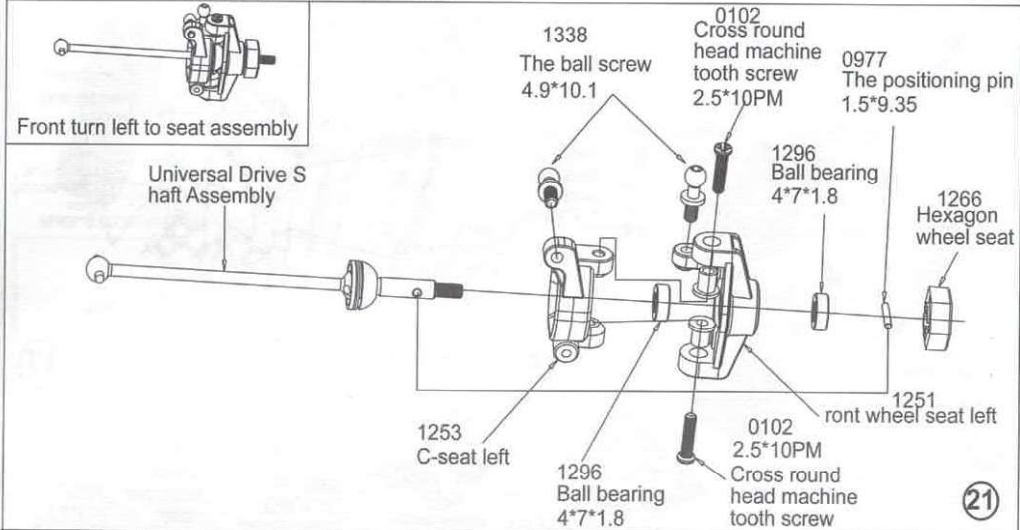
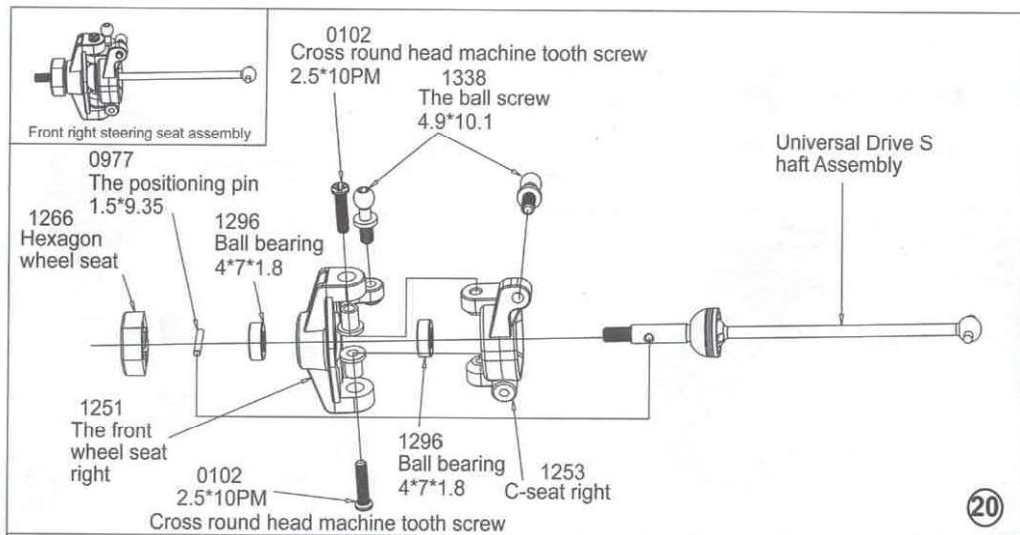


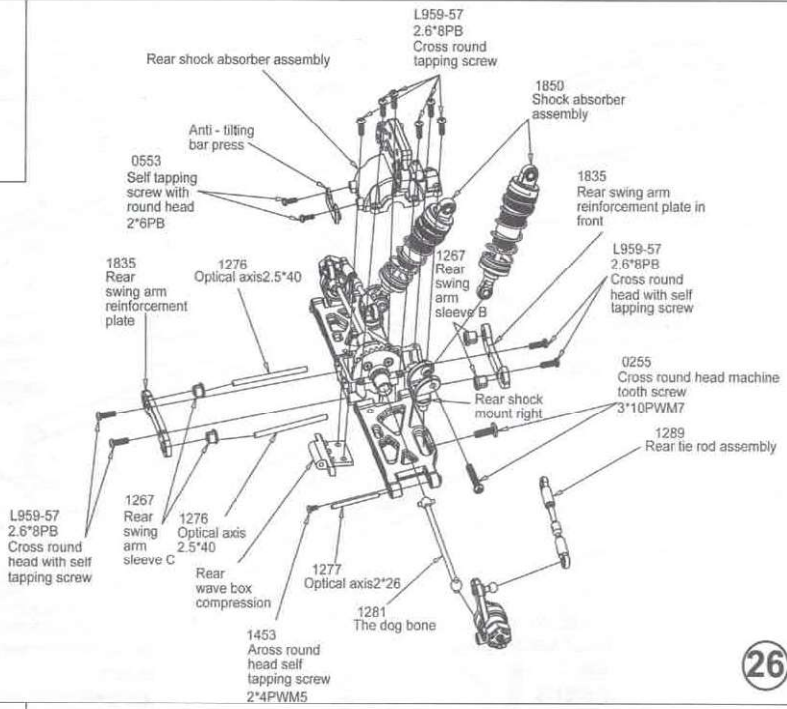
Assembly Exploded Diagram





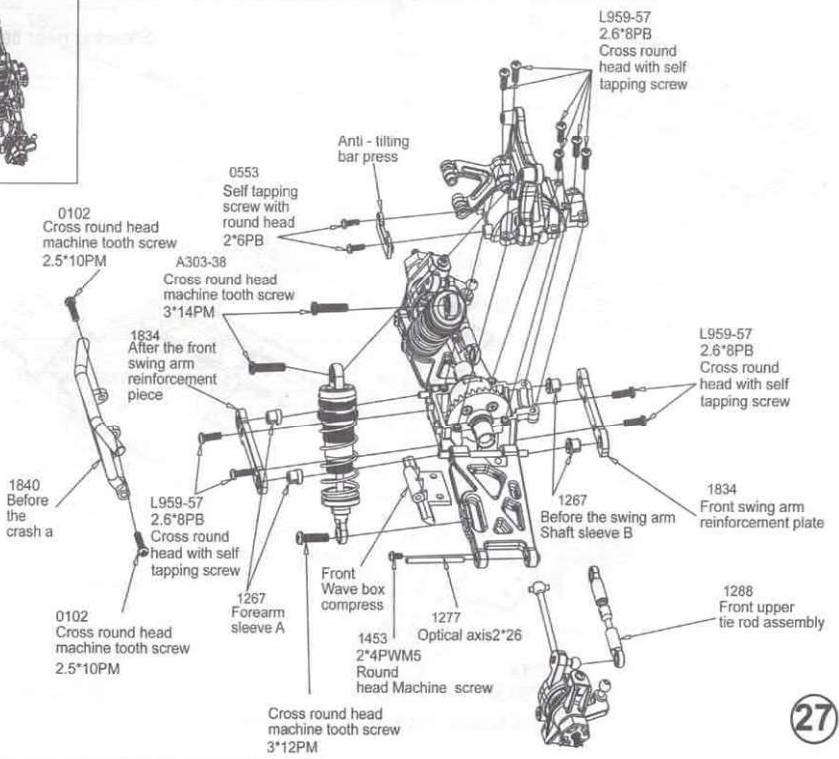


Rear wave box assembly

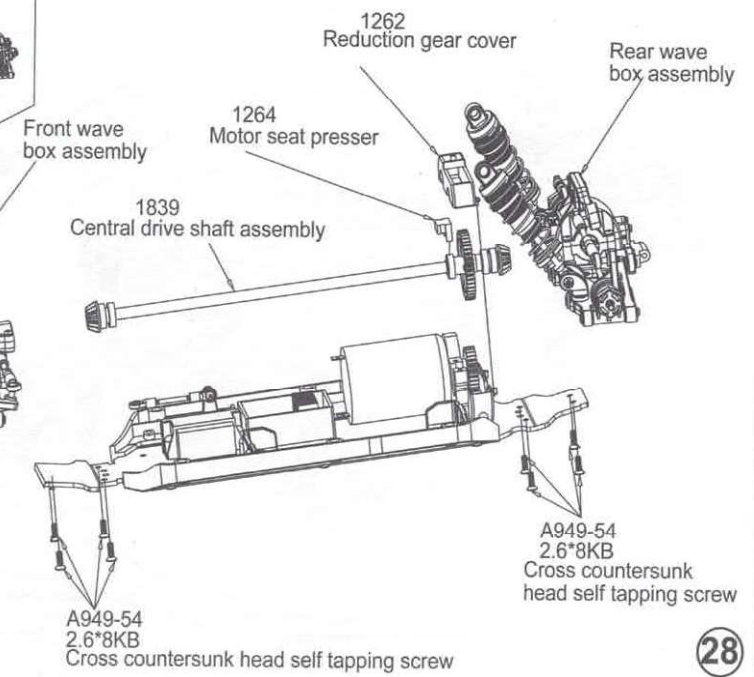
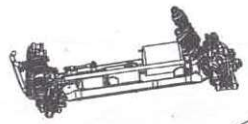


26

Front wave box assembly



27

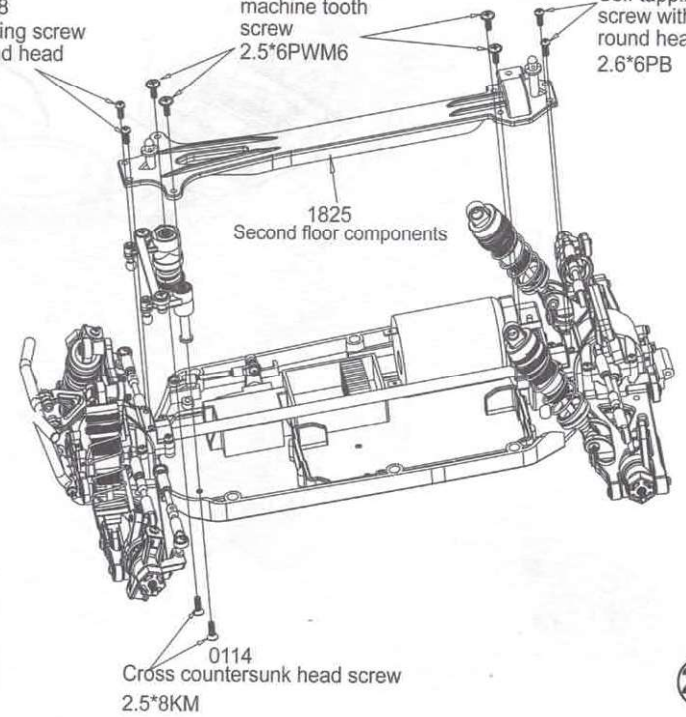


28

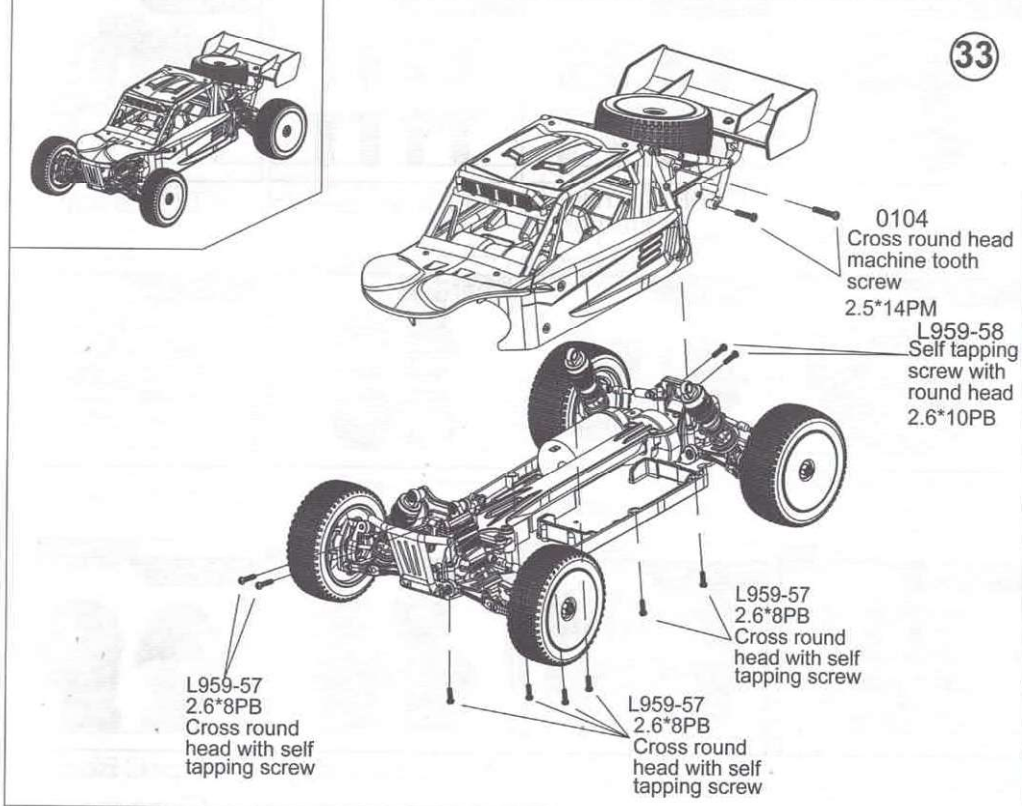
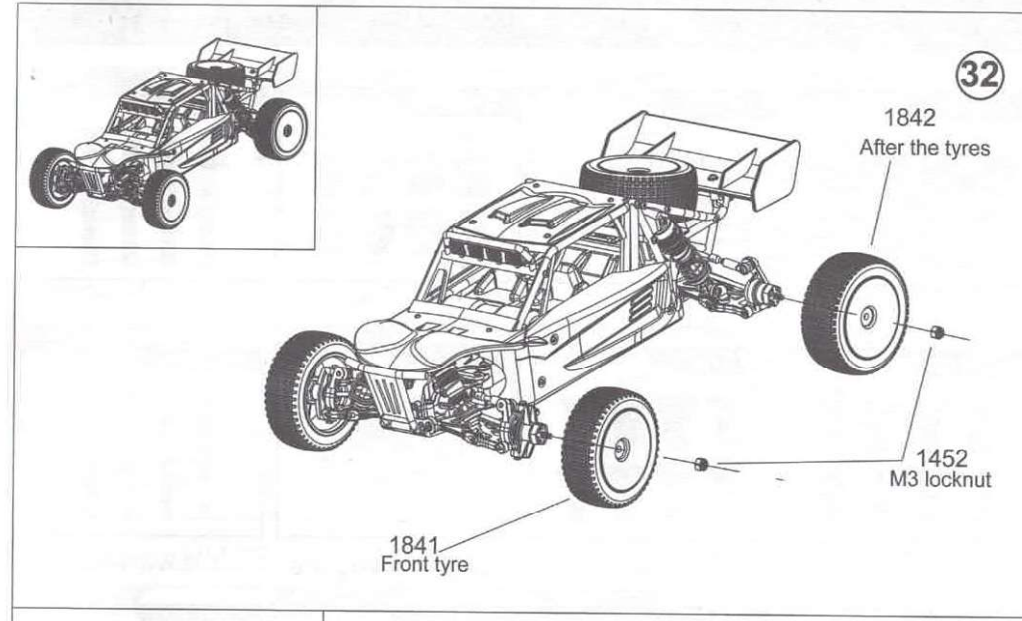
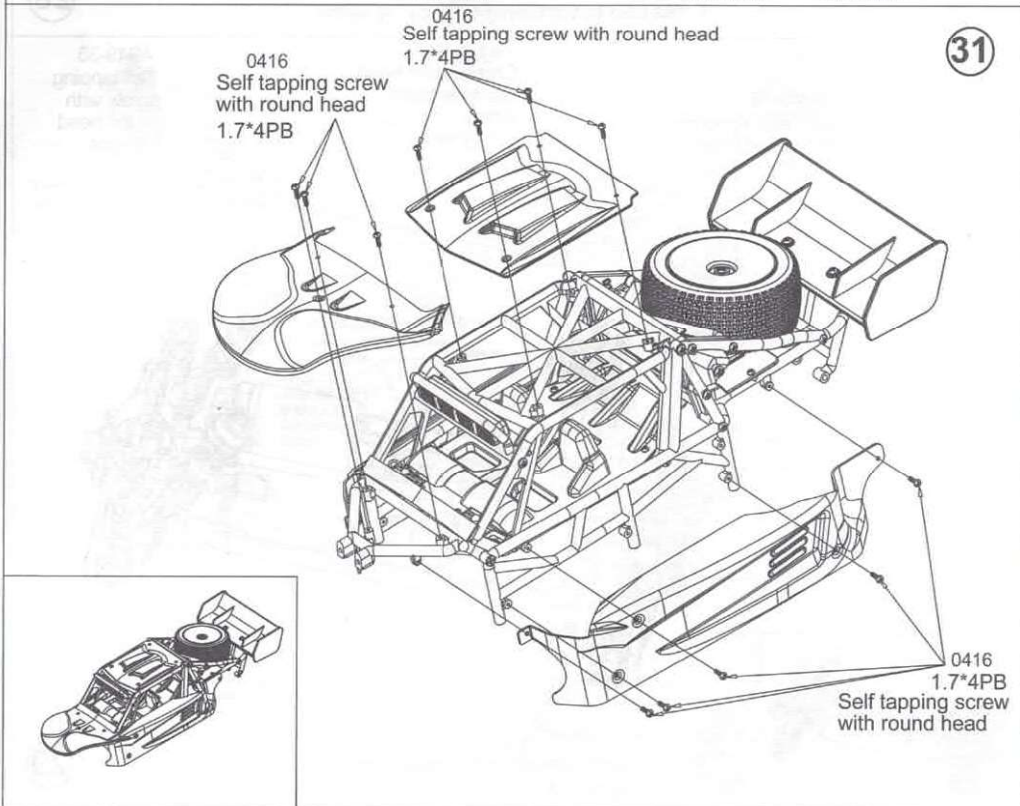
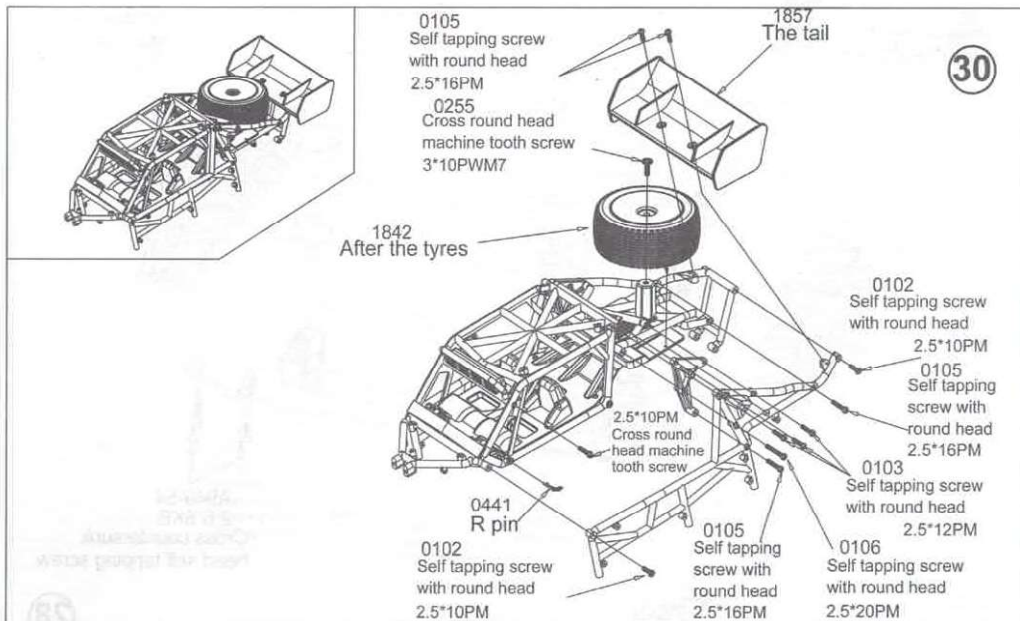
A949-38 Self tapping screw with round head 2.6*6PB

A949-43 Cross round head machine tooth screw 2.5*6PWM6

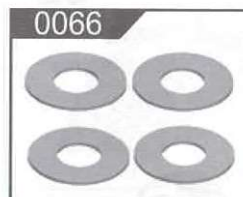
A949-38 Self tapping screw with round head 2.6*6PB



29

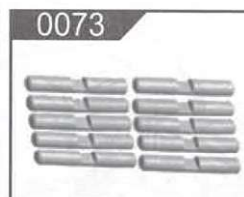


Sale parts view



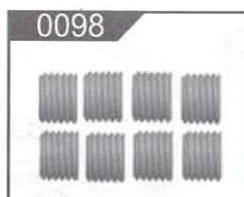
0066

12 * 5.2 * 0.2 gasket set assembly



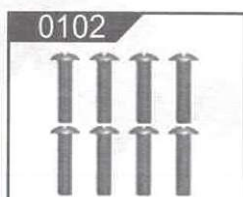
0073

Differential shaft assembly



0098

M3*3 Inner hexagonal screw assembly



0102

2.5*10PM screw assembly



0114

2.5*8KM screw assembly



0117

3*8KM screw assembly



1374

USB charging line



0256

3*12PM screw assembly



1669

V2-144001 Remote controller



0422

2 * 6KM screw assembly



0553

2 * 6PB screw assembly



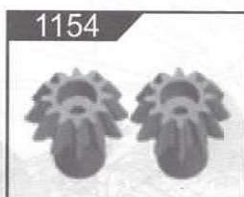
0582

ST2*7PB screw assembly



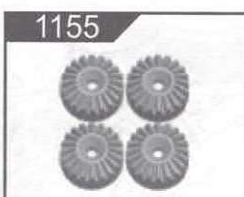
1153

30T Differential Large Teeth(Hardware) Component



1154

12T Active Teeth(Hardware) Group



1155

24T Differential Large Planetary Teeth(Hardware) Group



1823

car body assembly



1250

Front and rear arms



1251

Front seat assembly



1252

Rear seat assembly



1253

Type C Block Component

Sale parts view



1254

Wave Box Component



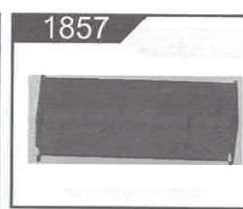
1824

Bottom side guard assembly



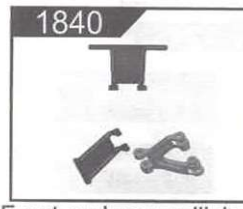
1256

Ball head support assembly



1857

Tail group



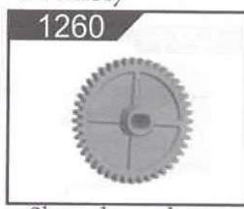
1840

Front and rear collision avoidance group



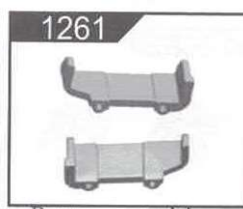
1825

Second floor panel components



1260

Slow down large tooth assembly



1261

Battery partition assembly



1262

Speed gear upper and lower cover assembly



1263

Tiller arm assembly



1264

Motor seat press component



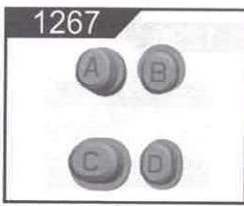
1265

Steering seat press assembly



1266

Hexagonal seat assembly



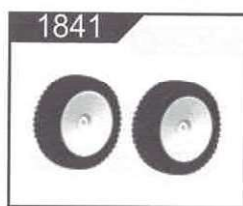
1267

Front and rear arm sleeve



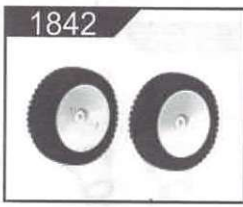
1268

Switch to clutch component



1841

Front tire assembly



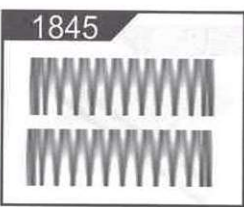
1842

Back tire assembly



1271

10T Differential Asteroid Teeth(Hardware) Group



1845

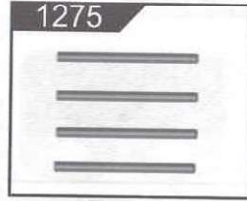
Front shock spring set



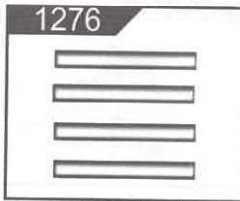
1274

1.5*9.35 Optical axis

Sale parts view



1*9 Optical axis



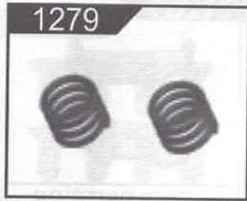
2.5*40 Optical axis



2*26 Optical axis



Shock absorber shaft component



Buffer spring assembly



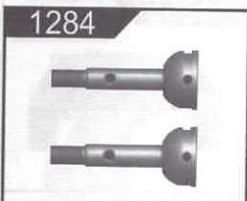
Dog bone assembly



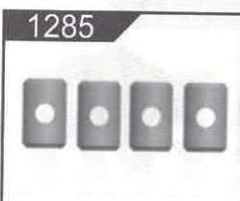
Universal drive shaft assembly



Rear Wheel Cup Component



Front Wheel Cup Component



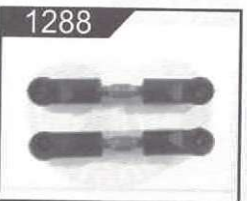
Cross shaft assembly



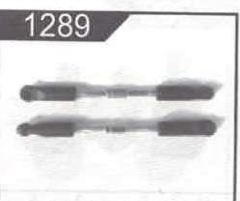
Universal cup spring assembly



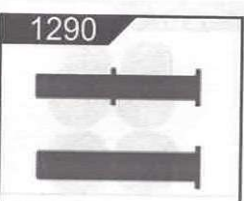
Steering gear lever assembly



Short pull bar assembly



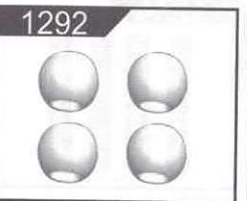
Long pull bar assembly



Steering column assembly



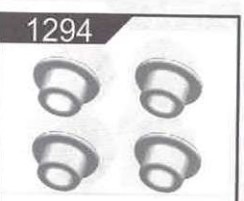
Steering column sleeve component



Ball Head Component



Central Transmission Axis Component

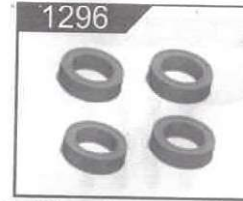


6 * 2.7 flange sleeve assembly



6 * 5.2 flange sleeve assembly

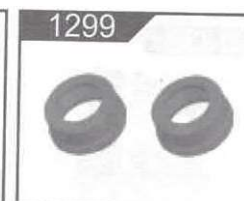
Sale parts view



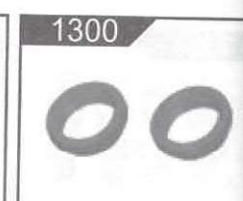
Ball bearing assembly



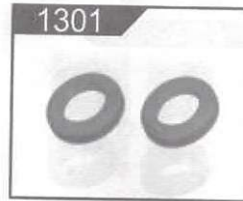
Shock absorber cylinder assembly



Shock absorber cap assembly



Regulate Ring Component



Spring seat assembly



Left and right groups of lower fixed base of rear shock absorber



Motor Block Component



Steering connecting rod assembly



Front swing arm reinforcement module



Backswing arm reinforcement module



Rudder assembly



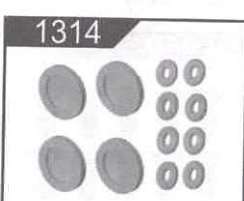
Motor components



Differential



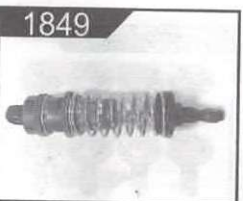
Receiver board assembly



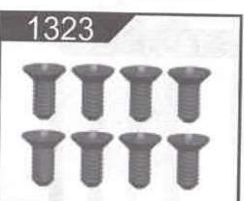
Type 0 assembly



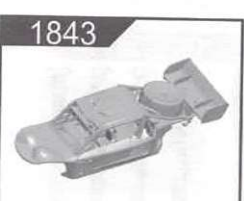
Coaxial component



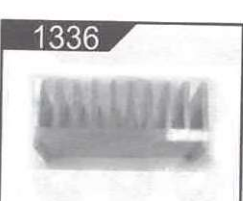
Front shock mount



ST2.6*5KB screw assembly



Car shell components



Heat Discharge Group

Sale parts view



1337
4.9*13.6 Ball Head screw assembly



1338
4.9*10.6 Ball Head screw assembly



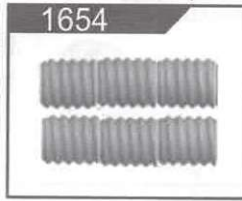
A202-04
4.0*9.5 Ball Head screw assembly



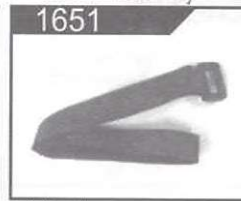
A202-15
ST2*8KB screw assembly



A303-39
ST2.6*6PWB6 screw assembly



1654
3 * 3 Hexagon socket screw



1651
Magic paste group



A949-35
Ball bearings 7 * 11 * 3 groups



A949-38
ST2.6*6PB screw assembly



A949-43
2.5*6PWM6 Screw assembly



A949-49
M3 Loose nut assembly



A959-B-15
Motor teeth 27T group



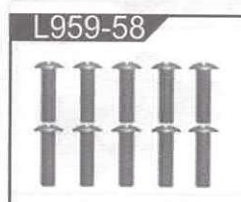
1652
Battery assembly



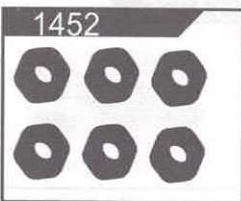
L959-54
ST2.6*8KB screw assembly



L959-57
ST2.6*8PB screw assembly



L959-58
ST2.6*10PB screw assembly



1452
M3 flange nut



1389
3 * 20pm Cross round head machine screw

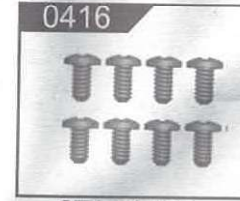


1453
2*4PWM5 Cross round head machine screw



1656
2.5*8PWM6 Cross round head machine screw

Sale parts view



0416
ST1.7 * 4PB screw assembly



0552
ST1.7 * 8PB screw assembly



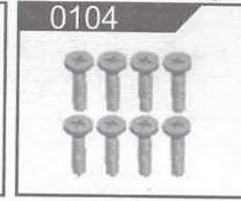
A303-32
ST1.7 * 6PB screw assembly



0103
2.5 * 16 PM Cross pan head screw group



0106
2.5 * 20PM Cross pan head screw group



0104
2.5 * 14PM Cross pan head screw group



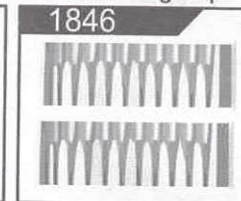
0255
3 * 10PWM7 screw assembly



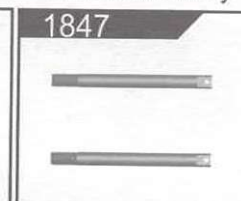
A303-38
3 * 14PM Cross pan head screw group



1723
3 * 10KM Cross countersunk screw group



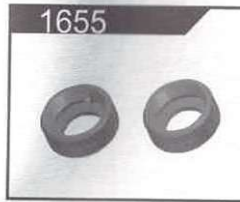
1846
Rear shock spring set



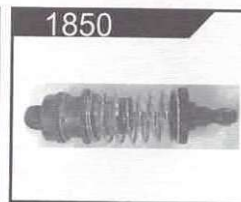
1847
Rear shock absorber axis group



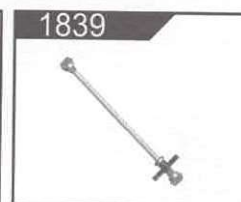
1848
Rear shock block



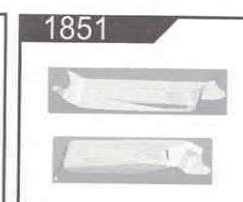
1655
Shock proof sealing cap 11 * 4.5 sets



1850
Rear shock absorber assembly



1839
Central drive shaft assembly



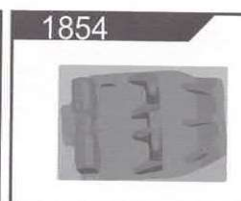
1851
Left and right sides of car shell



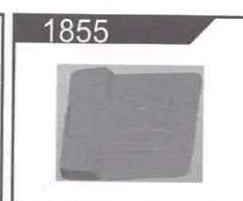
1852
Car head group



1853
Car roof cover group



1854
Seat group



1855
Cab rear seat group