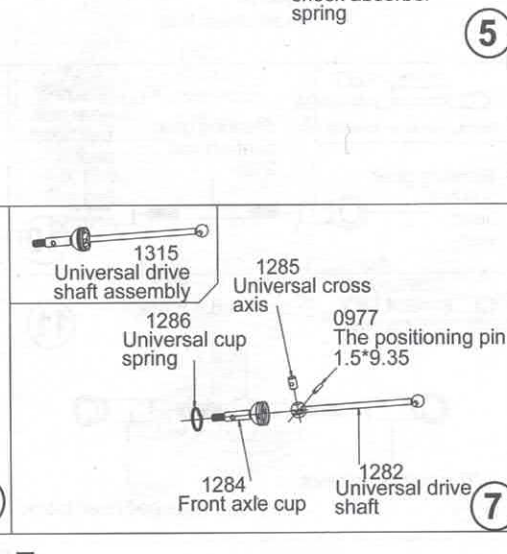
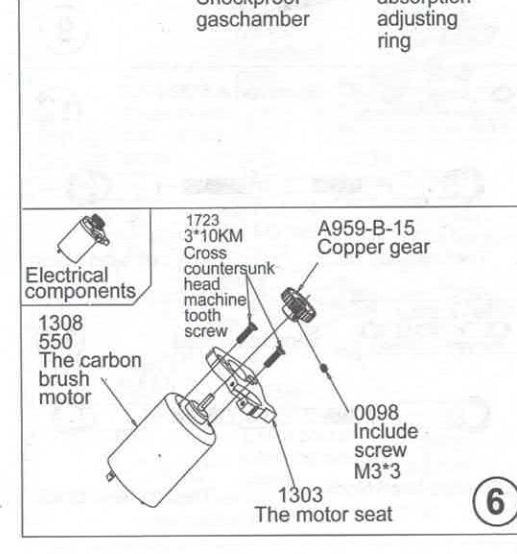
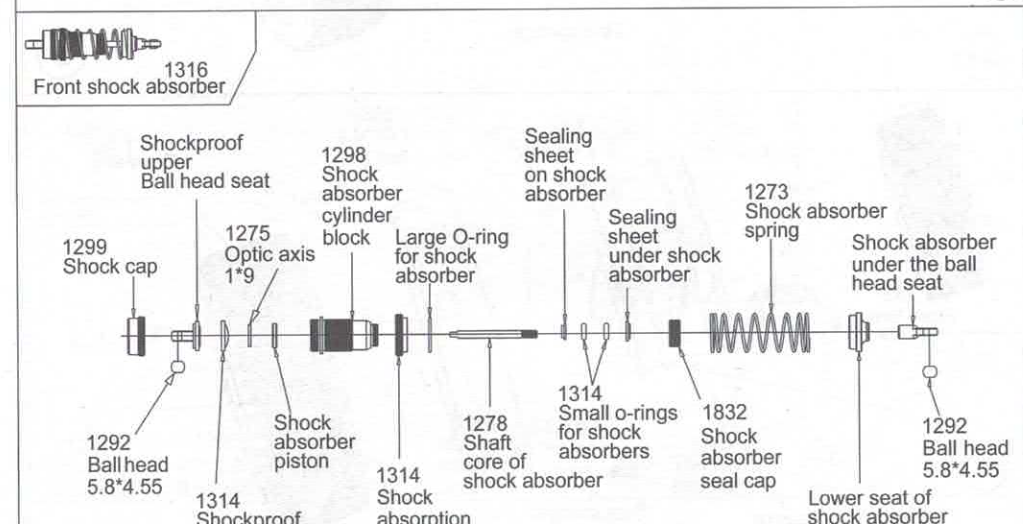
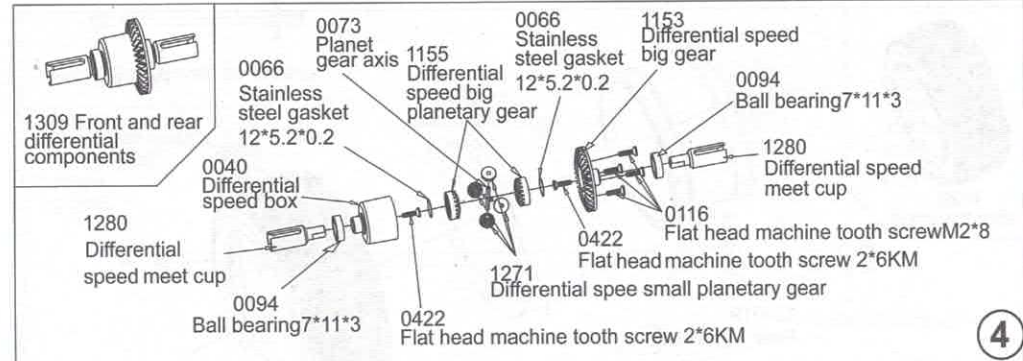
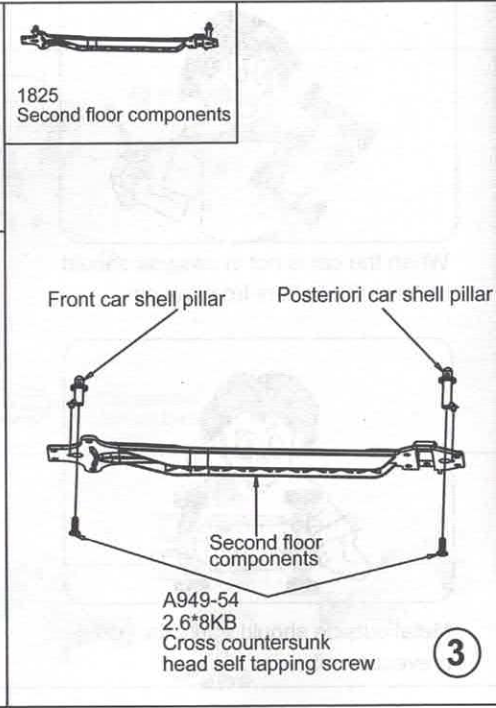
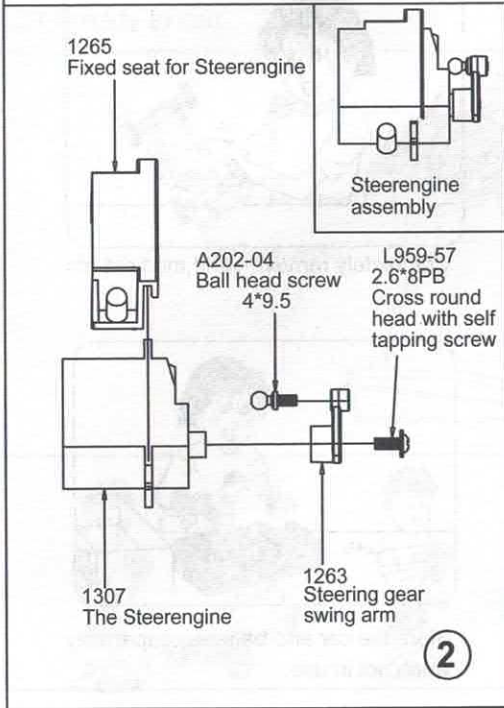
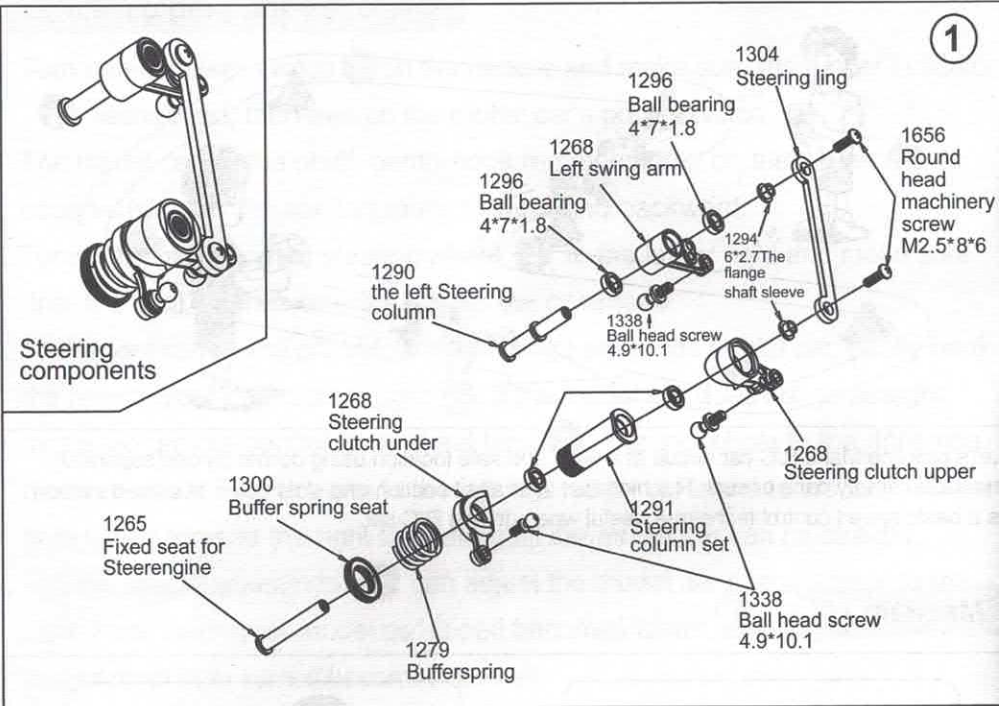
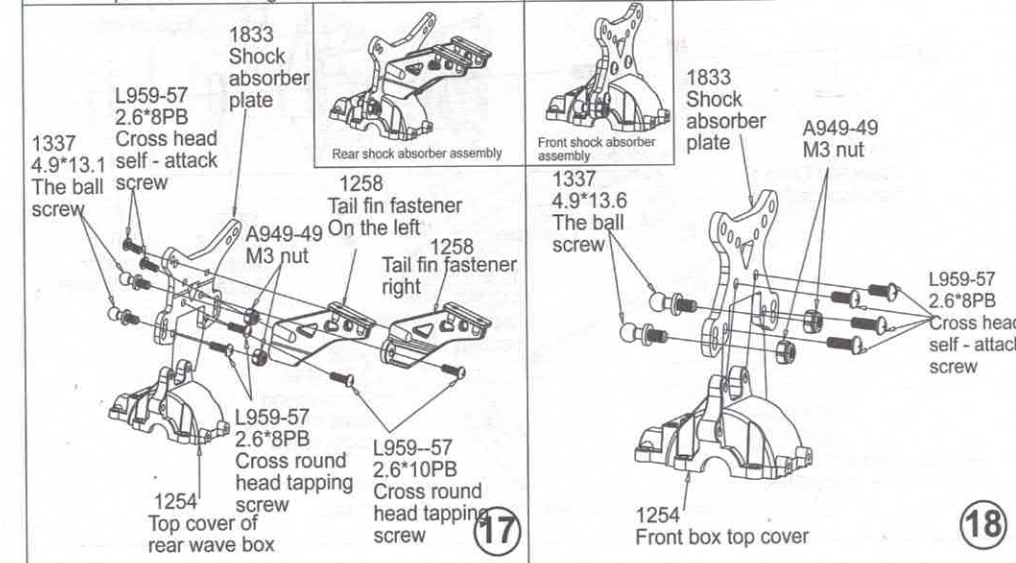
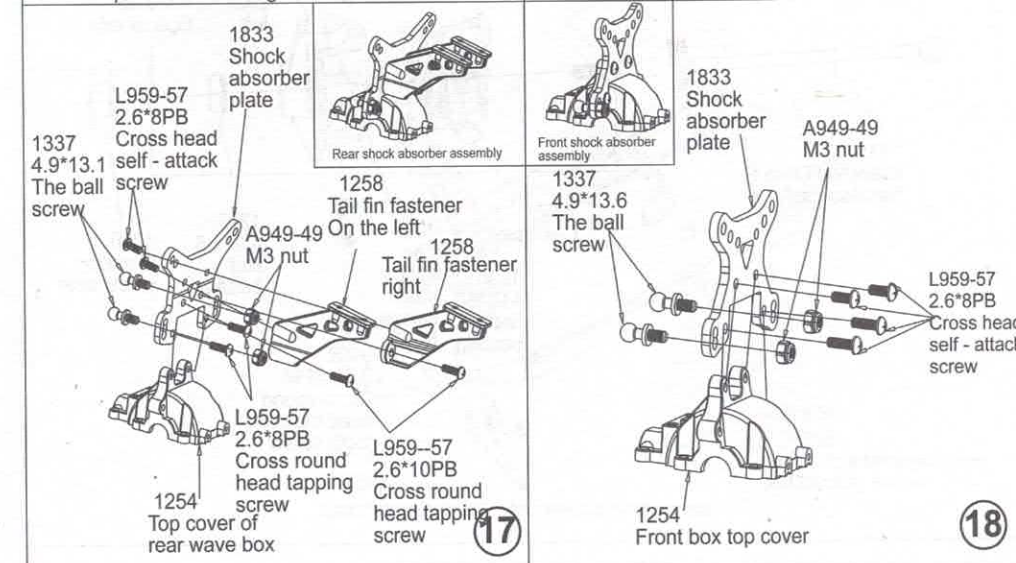
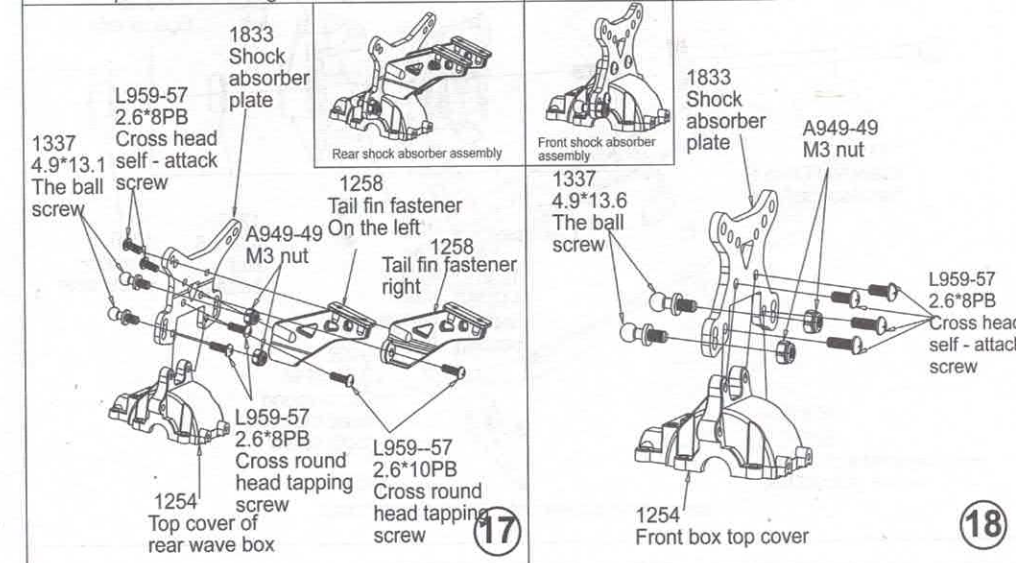
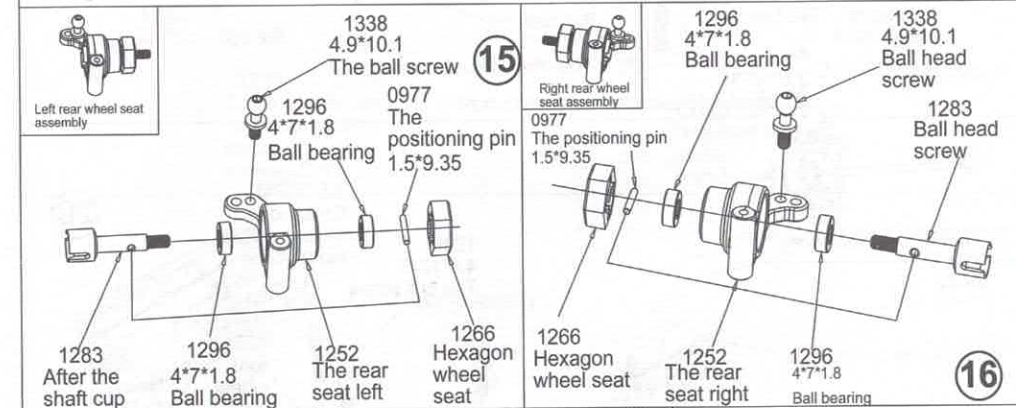
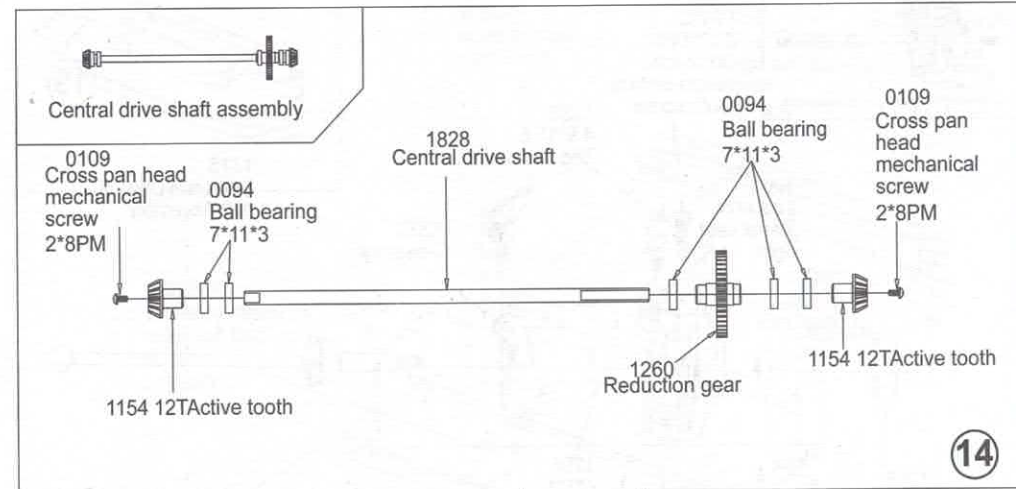
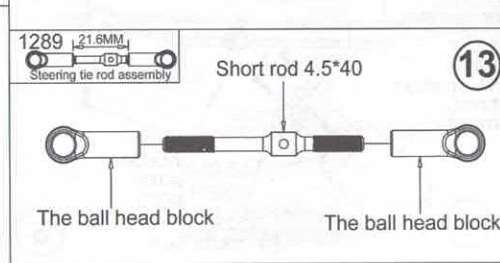
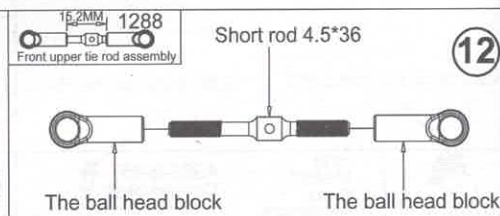
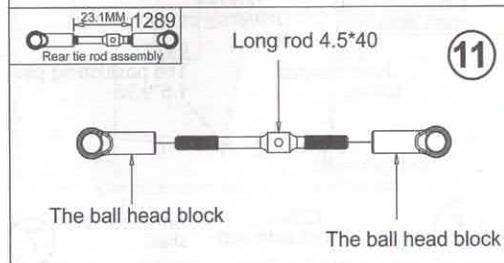
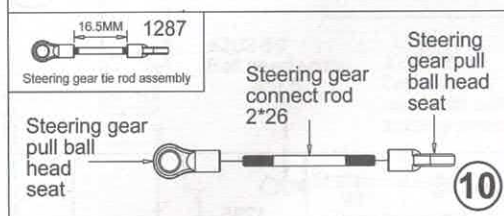
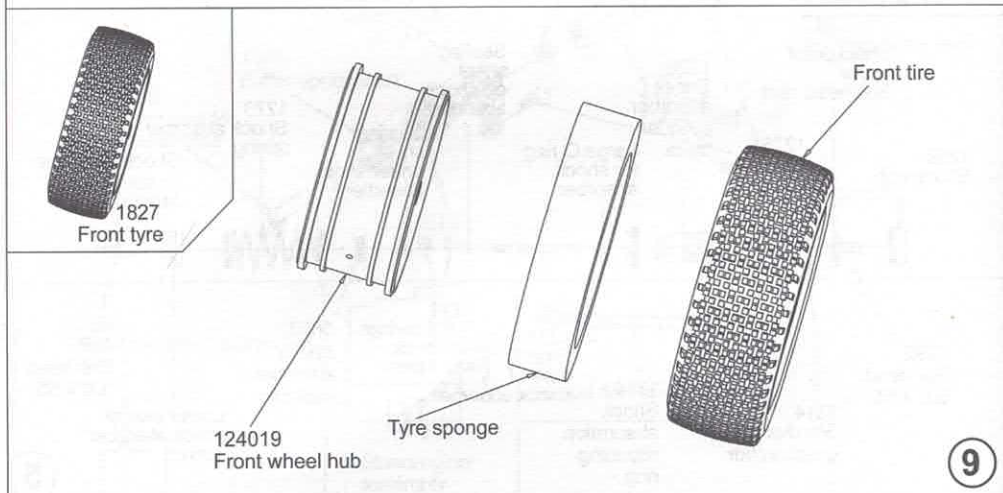
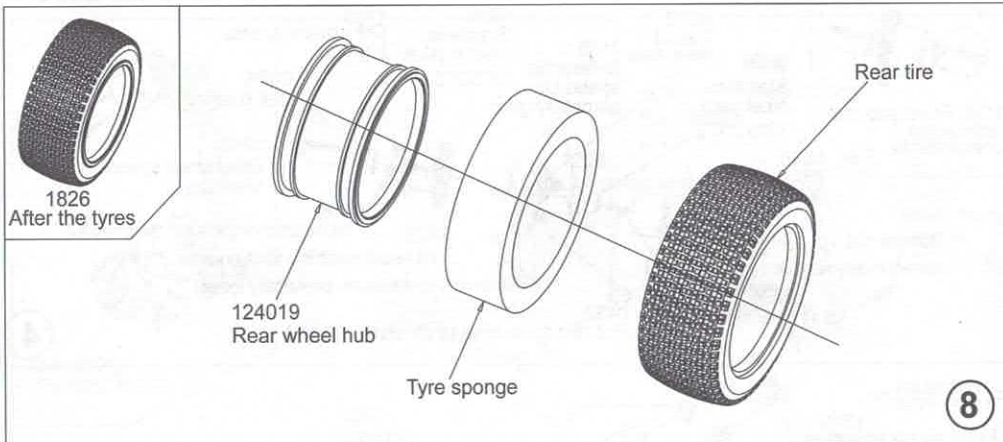
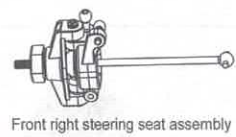


Assembly Exploded Diagram



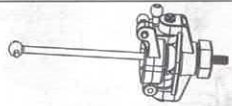
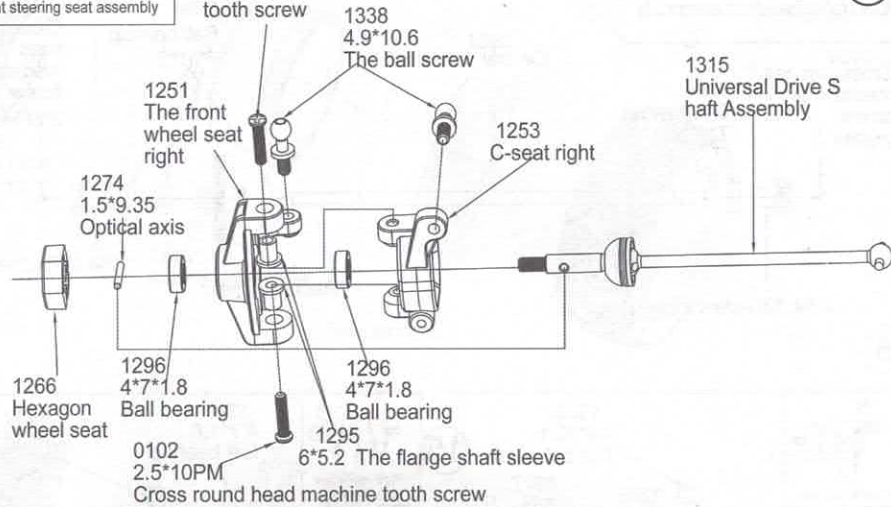




Front right steering seat assembly

0102
2.5*10PM
Cross round
head machine
tooth screw

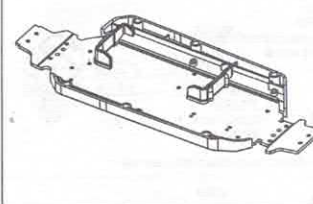
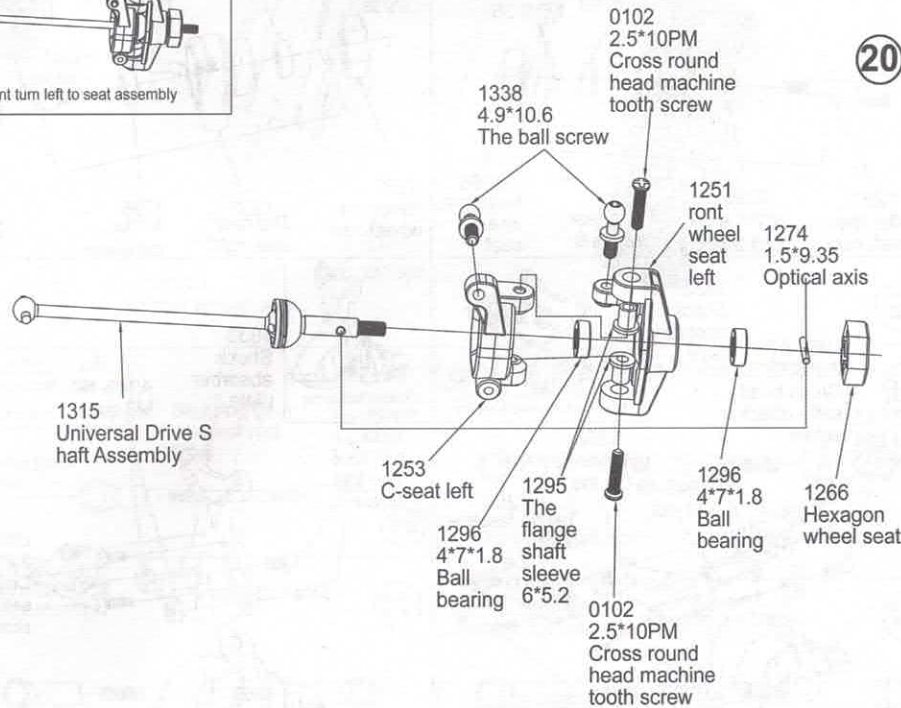
19



Front turn left to seat assembly

0102
2.5*10PM
Cross round
head machine
tooth screw

20



1261
Battery
compartment
partition-A

1323
Cross countersunk
head self tapping
screw
2.6*5KB

1824
Bottom rail right

21

L959-54
Cross countersunk
head self tapping
screw
2.6*8KB

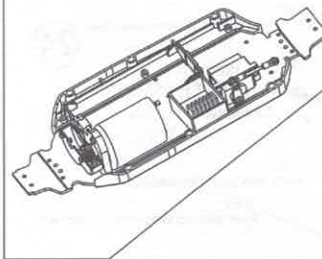
1824
Bottom edge left

1323
Cross countersunk
head self tapping
screw
2.6*5KB

L959-54
Cross countersunk
head self tapping
screw
2.6*8KB

124018 Vehicle bottom

1823



Motor assembly

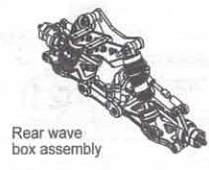
1287
Steering gear tie rod assembly

Steerengine assembly

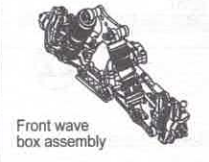
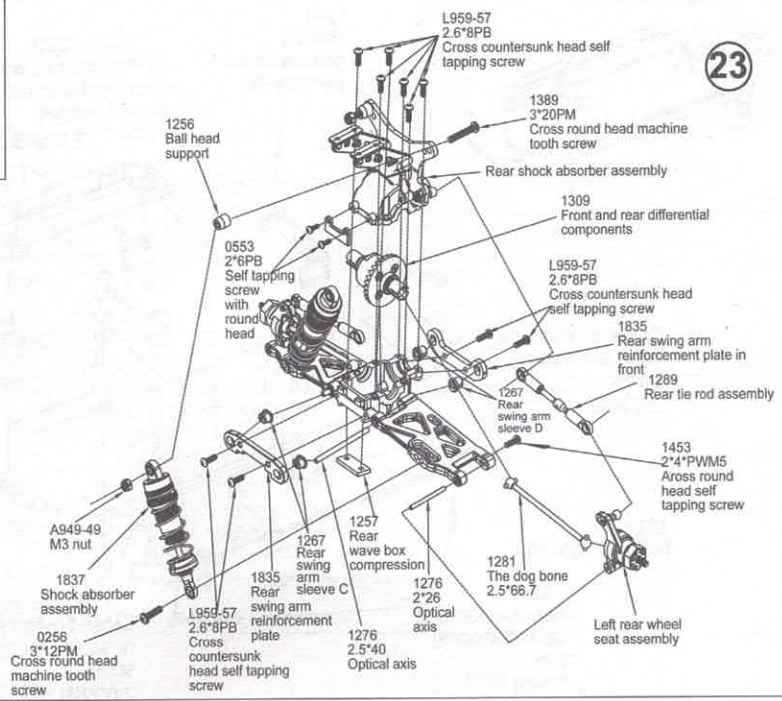
22

0114
2.5*8KM
Cross countersunk head self tapping screw

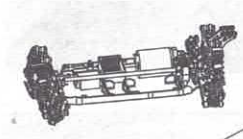
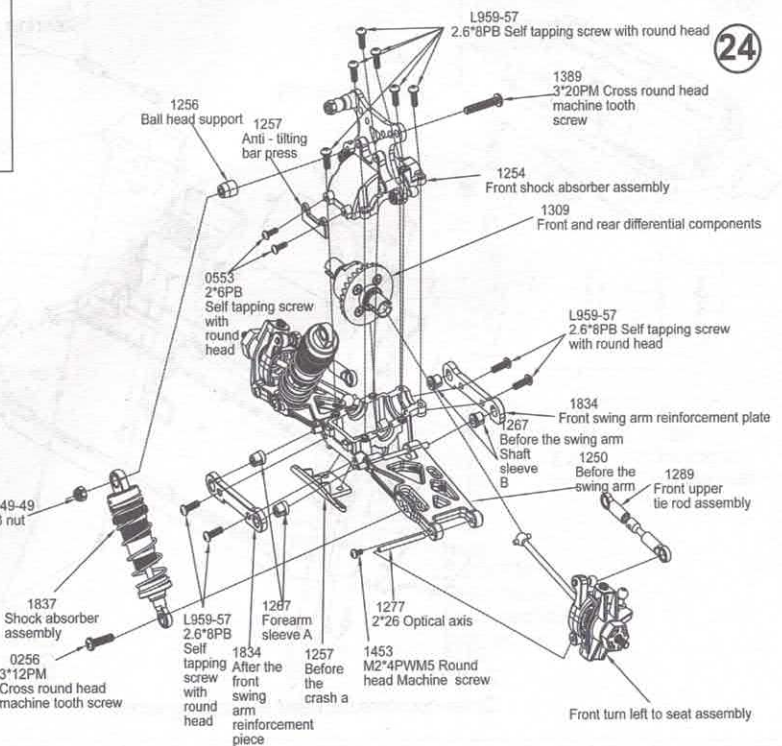
A949-54
2.6*8KB
Cross countersunk head self tapping screw



Rear wave box assembly

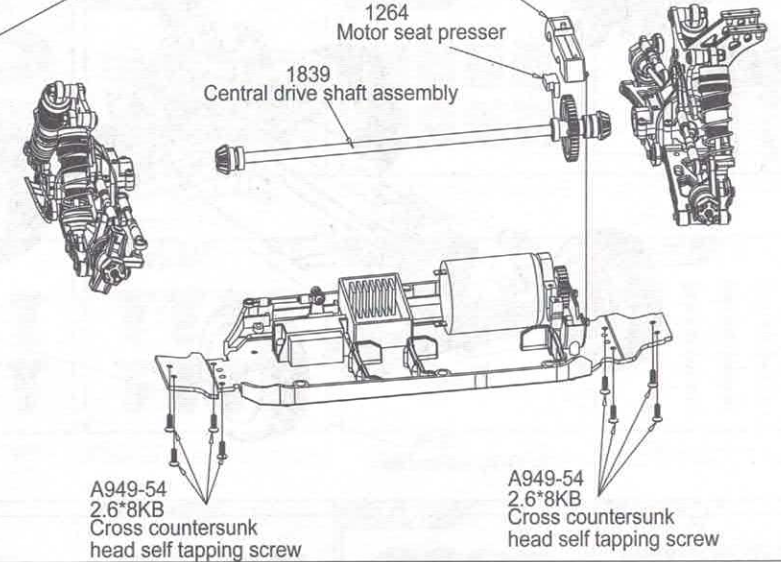


Front wave box assembly

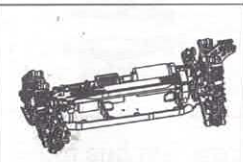
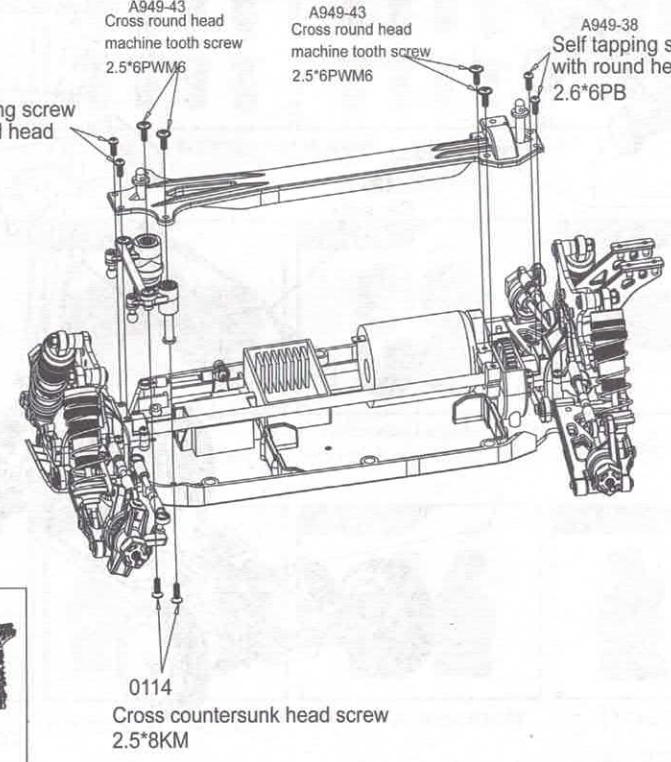


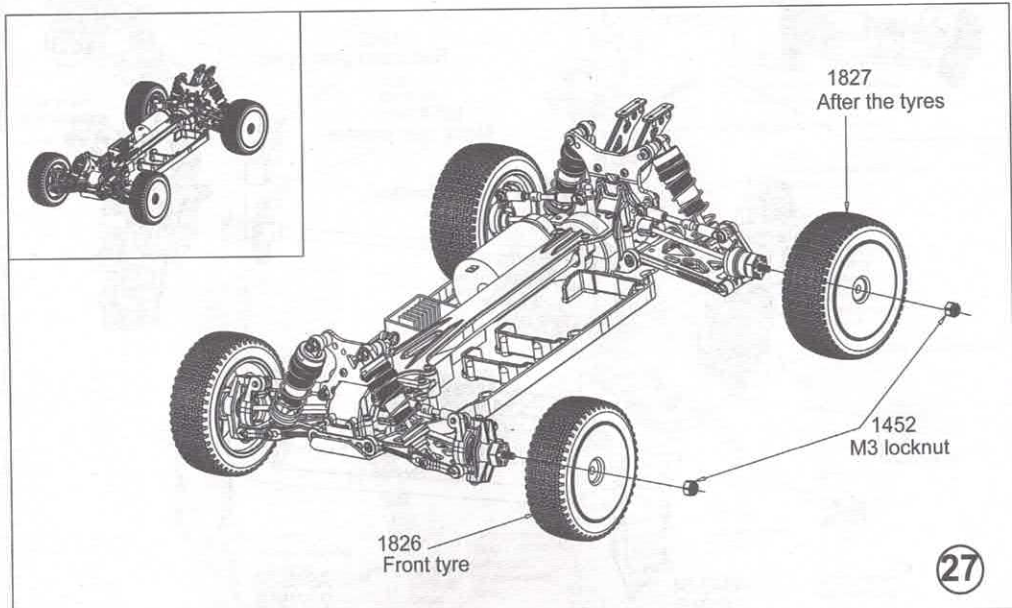
1262 Reduction gear cover

25

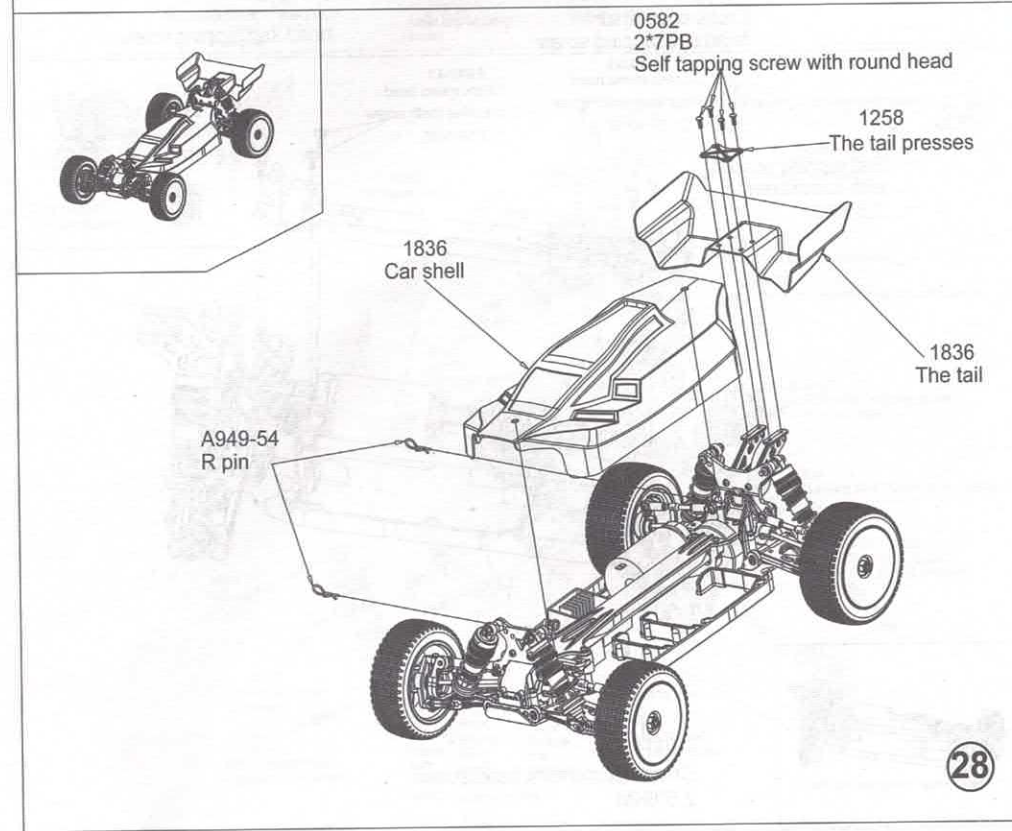


A949-38 Self tapping screw with round head 2.6"6PB





27

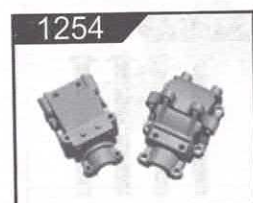


28

Sale parts view

<p>0066</p>	<p>0073</p>	<p>1654</p>	<p>0102</p>
<p>12 * 5.2 * 0.2 gasket set assembly</p>	<p>Differential shaft assembly</p>	<p>M3*3 Inner hexagonal screw assembly</p>	<p>2.5*10PM screw assembly</p>
<p>0114</p>	<p>0117</p>	<p>1374</p>	<p>0256</p>
<p>2.5*8KM screw assembly</p>	<p>3*8KM screw assembly</p>	<p>USB charging line</p>	<p>3*12PM screw assembly</p>
<p>1669</p>	<p>0422</p>	<p>0553</p>	<p>0582</p>
<p>V2-144001 Remote controller</p>	<p>2 * 6KM screw assembly</p>	<p>2 * 6PB screw assembly</p>	<p>ST2*7PB screw assembly</p>
<p>1153</p>	<p>1154</p>	<p>1155</p>	<p>1823</p>
<p>30T Differential Large Teeth(Hardware) Component</p>	<p>12T Active Teeth(Hardware) Group</p>	<p>24T Differential Large Planetary Teeth(Hardware) Group</p>	<p>car body assembly</p>
<p>1250</p>	<p>1251</p>	<p>1252</p>	<p>1253</p>
<p>Front and rear arms</p>	<p>Front seat assembly</p>	<p>Rear seat assembly</p>	<p>Type C Block Component</p>

Sale parts view



1254

Wave Box Component



1824

Bottom side guard assembly



1256

Ball head support assembly



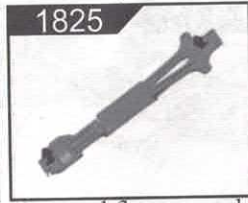
1257

Anti-collision accessories components



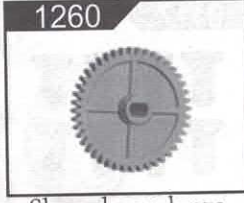
1258

Final-end firmware component



1825

Second floor panel components



1260

Slow down large tooth assembly



1261

Battery partition assembly



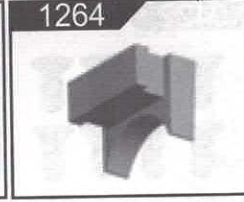
1262

Speed gear upper and lower cover assembly



1263

Tiller arm assembly



1264

Motor seat press component



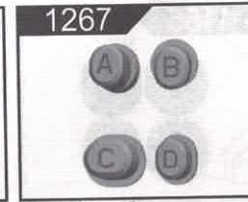
1265

Steering seat press assembly



1266

Hexagonal seat assembly



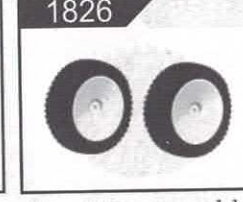
1267

Front and rear arm sleeve



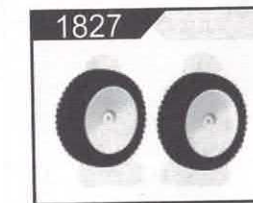
1268

Switch to clutch component



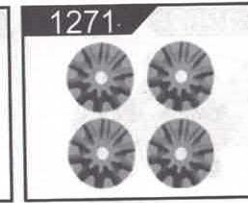
1826

Front tire assembly



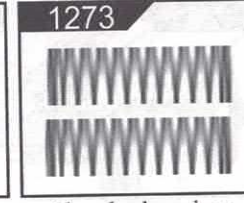
1827

Back tire assembly



1271

10T Differential Asteroid Teeth(Hardware) Group



1273

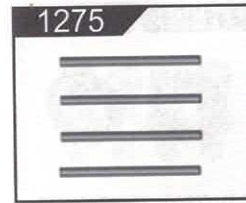
Shock absorber spring assembly



1274

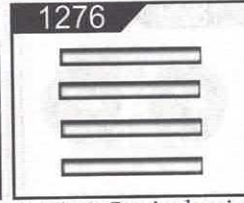
1.5*9.35 Optical axis

Sale parts view



1275

1*9 Optical axis



1276

2.5*40 Optical axis



1277

2*26 Optical axis



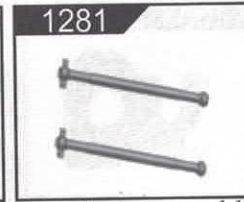
1278

Shock absorber shaft component



1279

Buffer spring assembly



1281

Dog bone assembly



1282

Universal drive shaft assembly



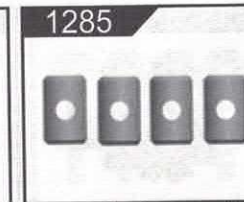
1283

Rear Wheel Cup Component



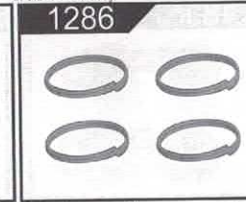
1284

Front Wheel Cup Component



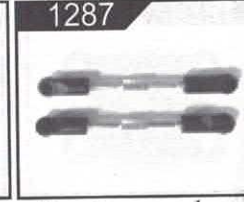
1285

Cross shaft assembly



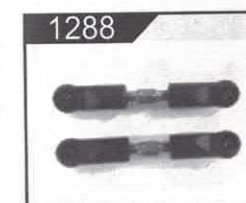
1286

Universal cup spring assembly



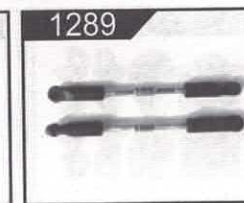
1287

Steering gear lever assembly



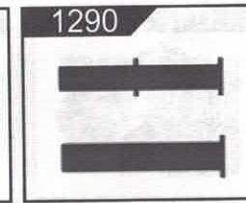
1288

Short pull bar assembly



1289

Long pull bar assembly



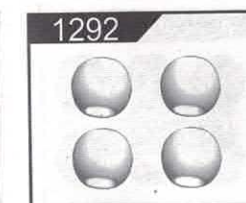
1290

Steering column assembly



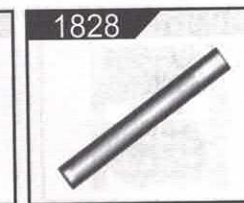
1291

Steering column sleeve component



1292

Ball Head Component



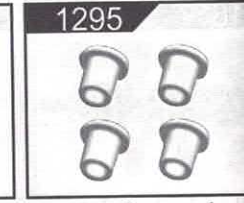
1828

Central Transmission Axis Component



1294

6 * 2.7 flange sleeve assembly



1295

6 * 5.2 flange sleeve assembly

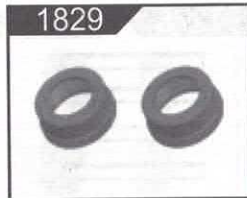
Sale parts view



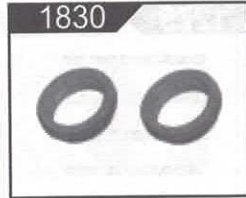
1296
Ball bearing assembly



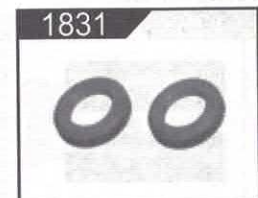
1298
Shock absorber cylinder assembly



1829
Shock absorber cap assembly



1830
Regulate Ring Component



1831
Spring seat assembly



1833
Shock absorber assembly



1303
Motor Block Component



1304
Steering connecting rod assembly



1834
Front swing arm reinforcement module



1835
Backswing arm reinforcement module



1307
Rudder assembly



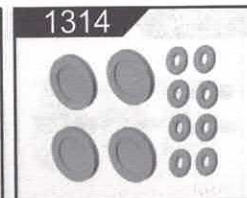
1308
Motor components



1309
Differential



1311
Receiver board assembly



1314
Type 0 assembly



1315
Coaxial component



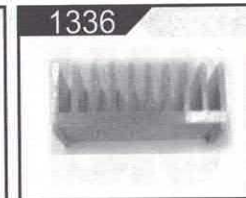
1837
Shock absorbers



1323
ST2.6*5KB screw assembly



1836
Car shell components



1336
Heat Discharge Group

Sale parts view



1337
4.9*13.6Ball Head screw assembly



1338
4.9*10.6Ball Head screw assembly



A202-04
4.0*9.5Ball Head screw assembly



A202-15
ST2*8KB screw assembly



A303-39
ST2.6*6PWB6 screw assembly



1839
Central drive shaft assembly



1651
Magic paste group



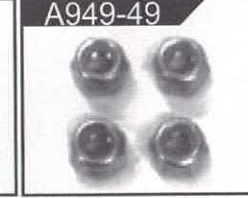
A949-35
Ball bearings 7 * 11 * 3 groups



A949-38
ST2.6*6PB screw assembly



A949-43
2.5*6PWM6 Screw assembly



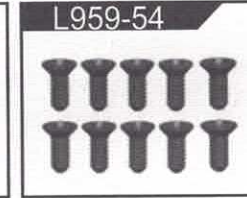
A949-49
M3 Loose nut assembly



A959-B-15
Motor teeth 27T group



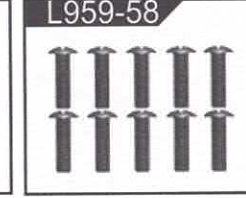
1652
Battery assembly



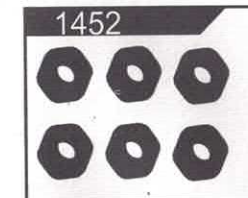
L959-54
ST2.6*8KB screw assembly



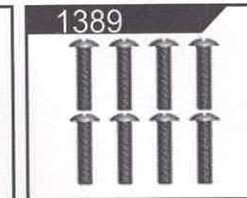
L959-57
ST2.6*8PB screw assembly



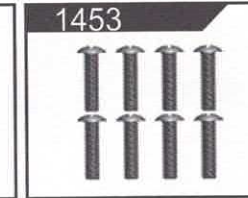
L959-58
ST2.6*10PB screw assembly



1452
M3 flange nut



1389
3 * 20pm Cross round head machine screw



1453
2*4PWM5 Cross round head machine screw



1656
2.5*8PWM6 Cross round head machine screw

Sale parts view

1832



Shock proof sealing
cap 11 * 4.5 sets

