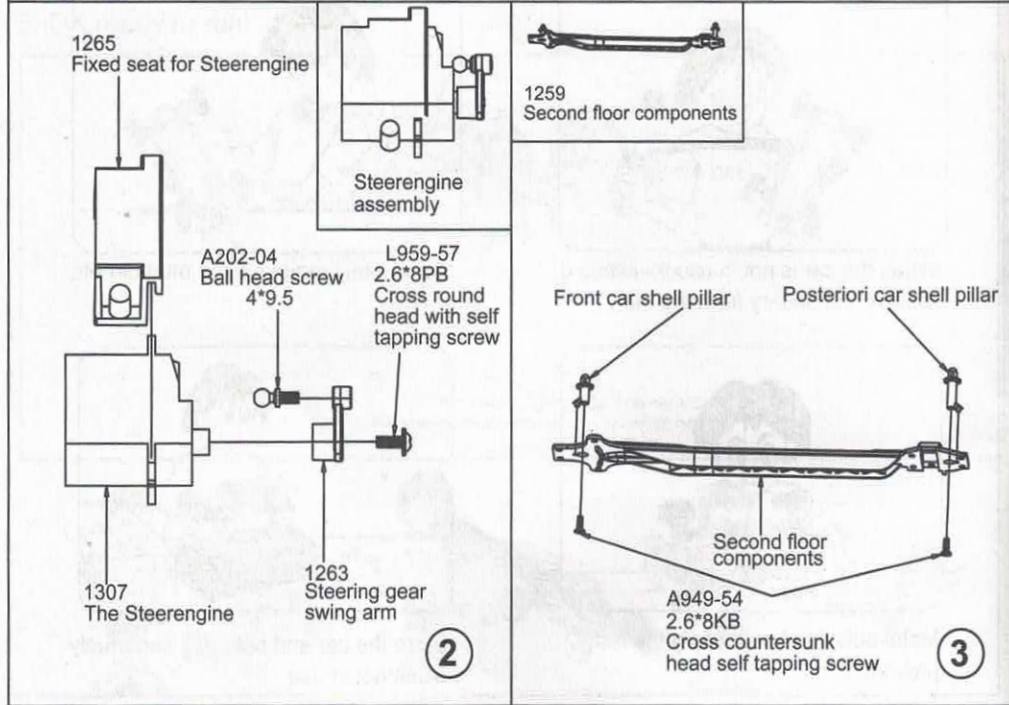
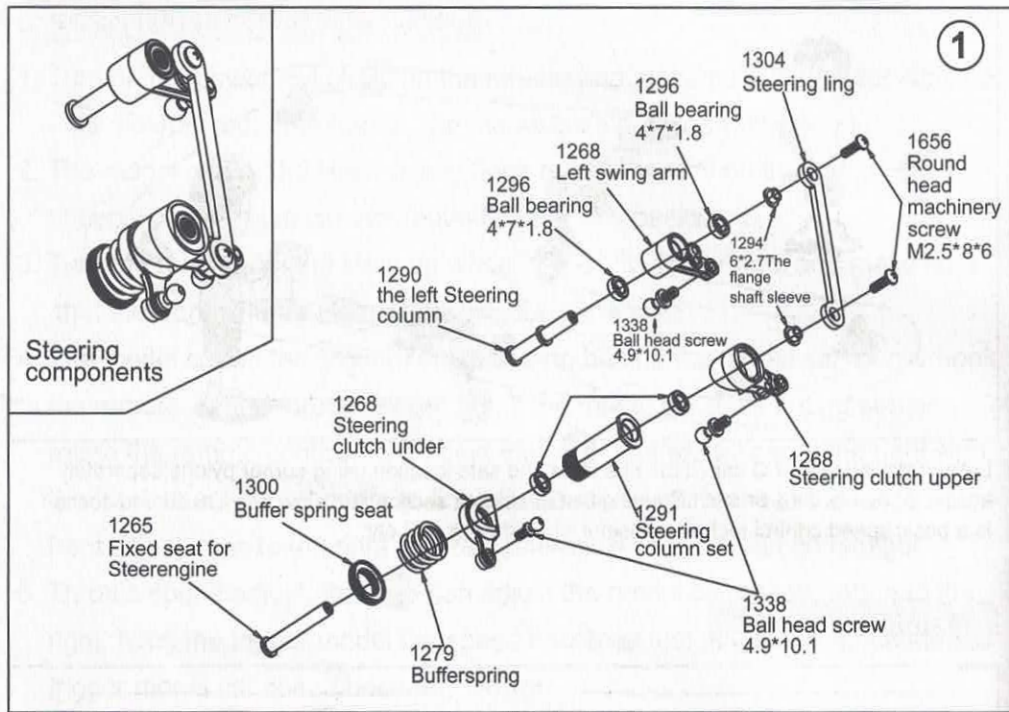
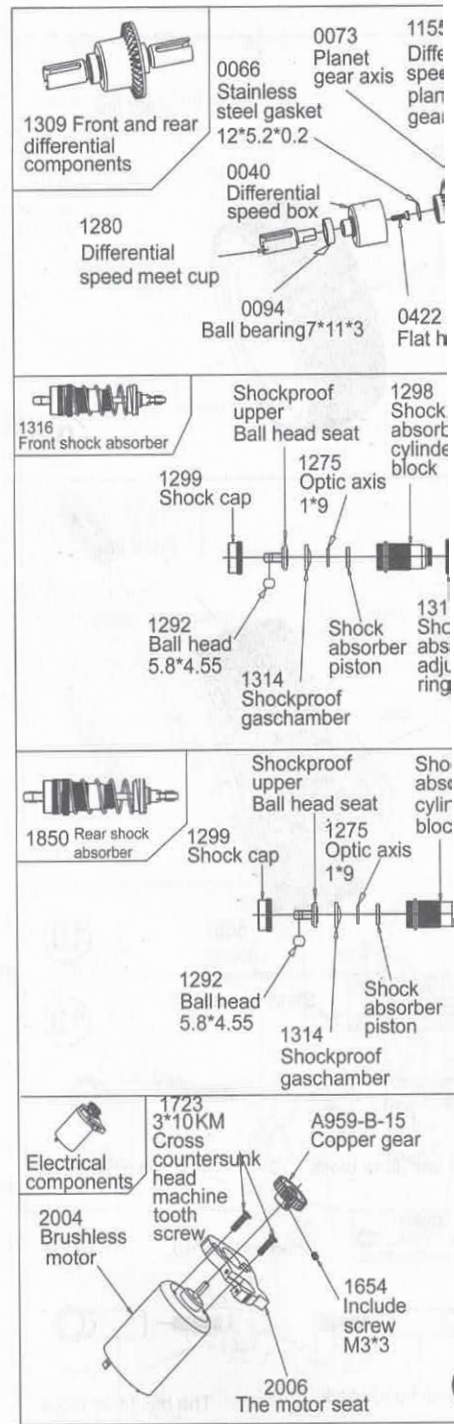
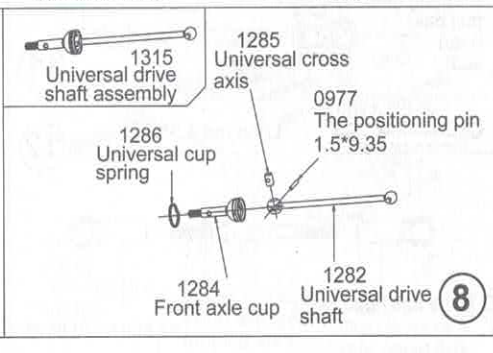
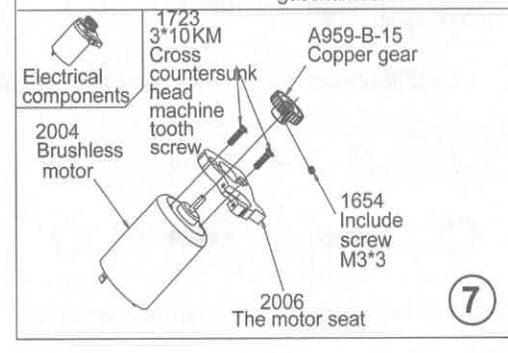
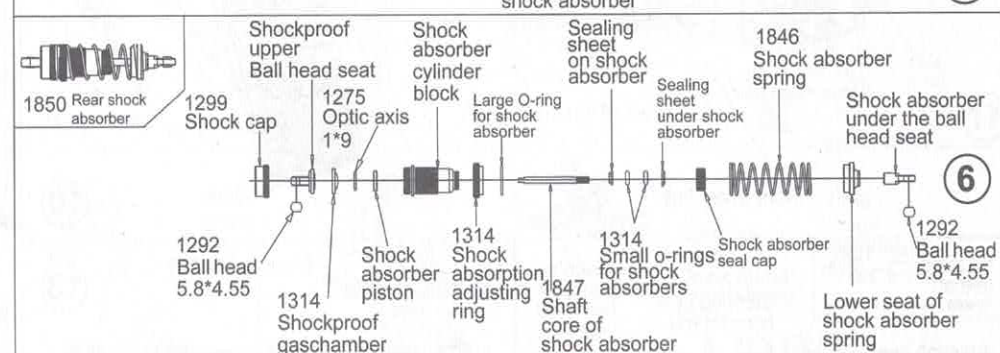
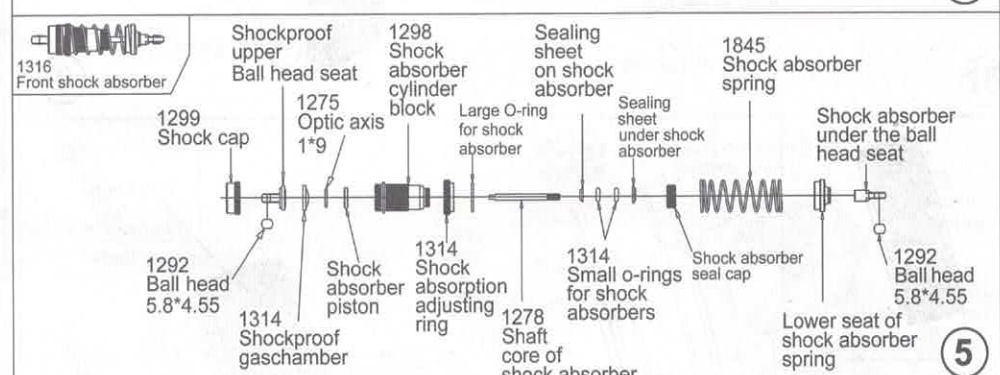
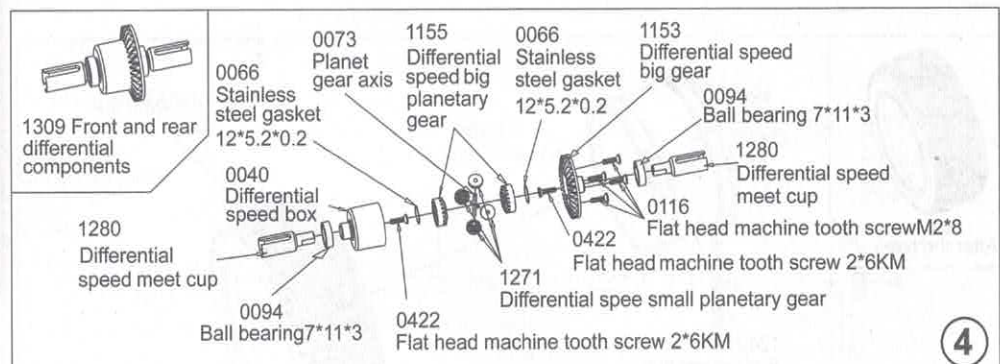
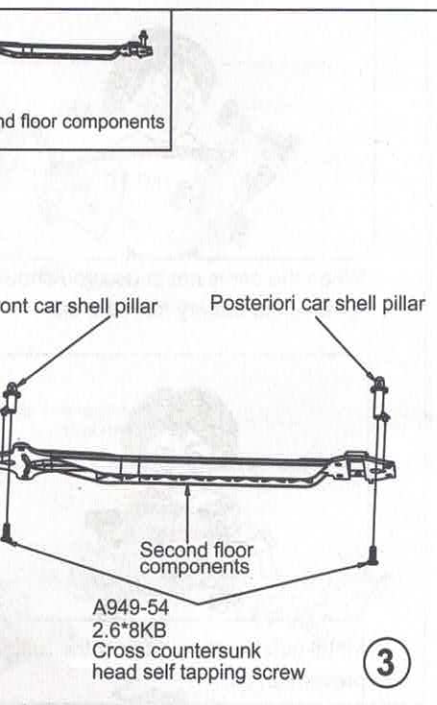
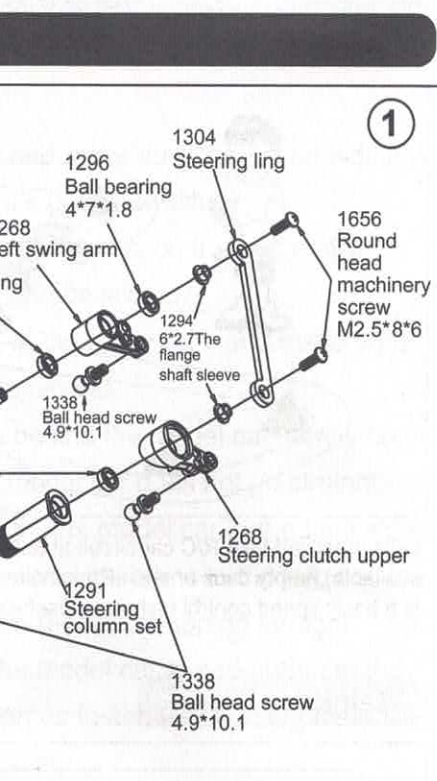


# Assembly Exploded Diagram

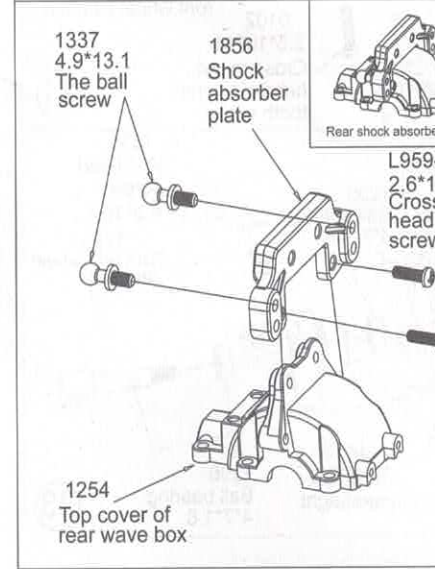
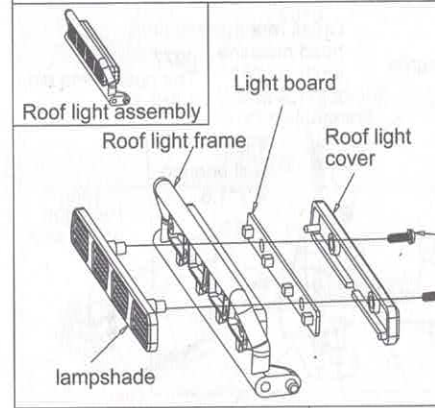
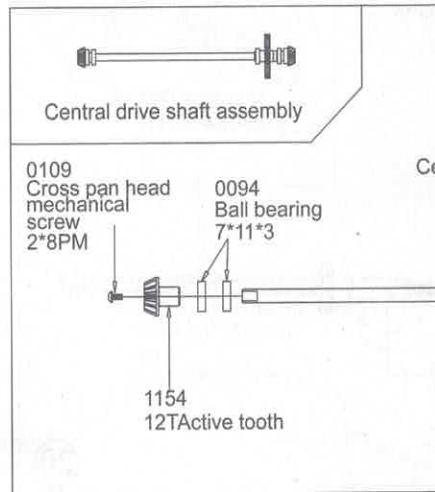
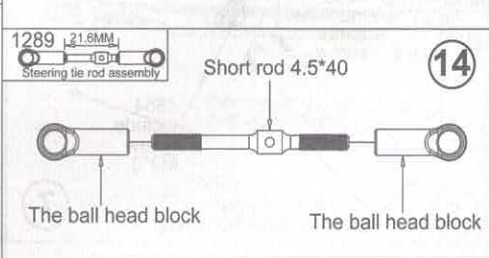
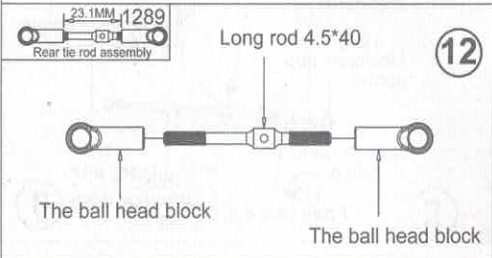
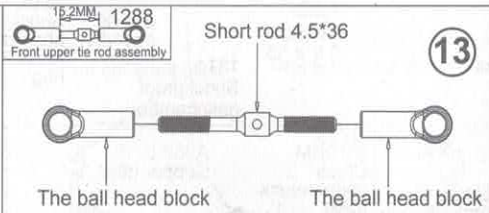
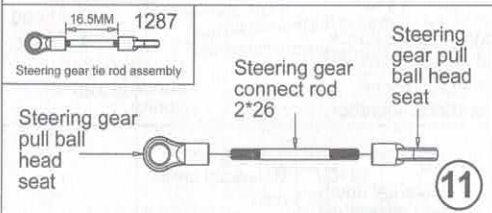
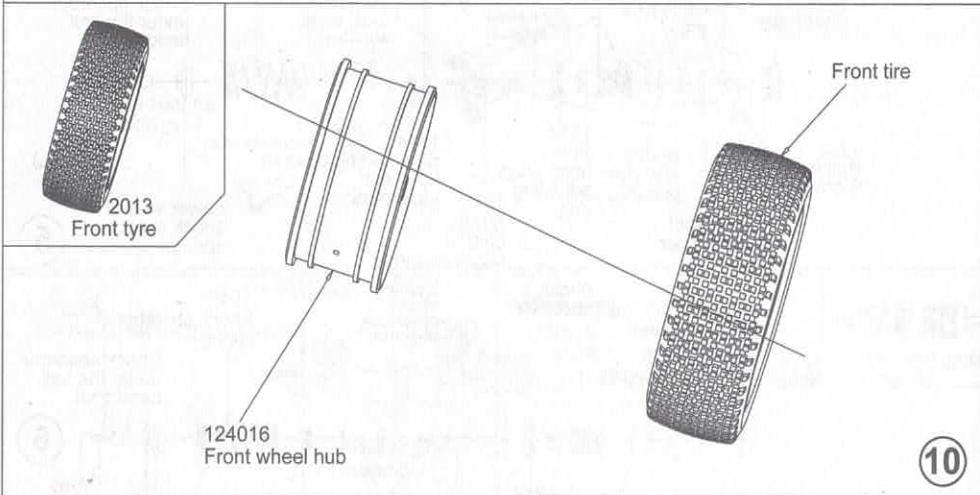
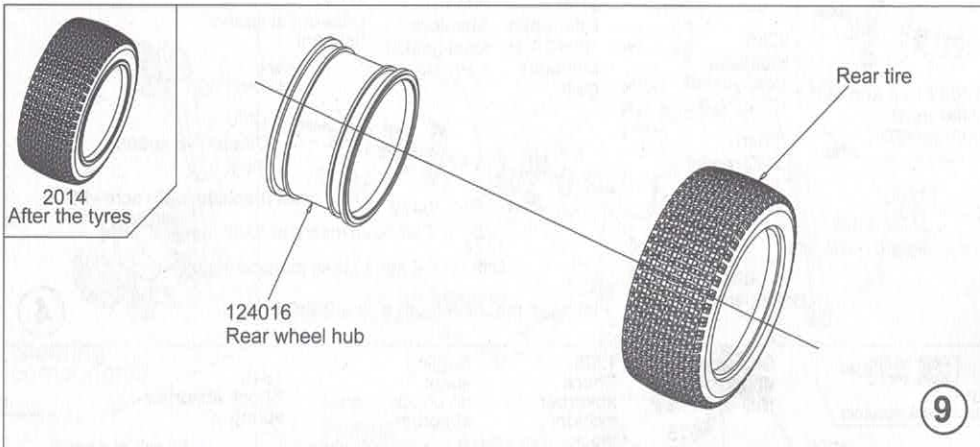


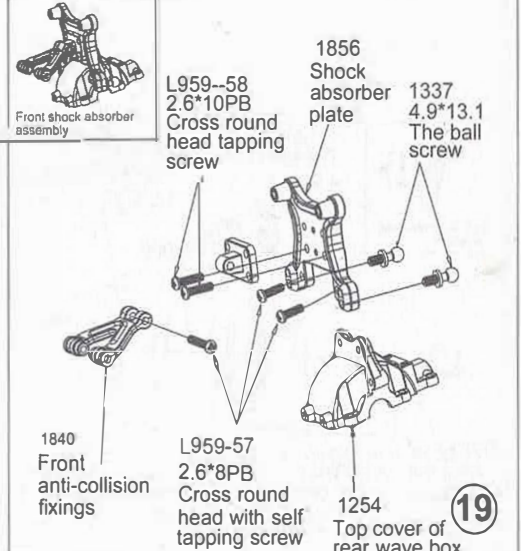
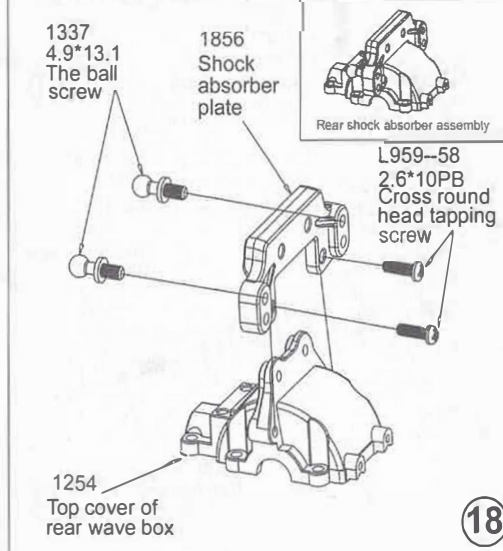
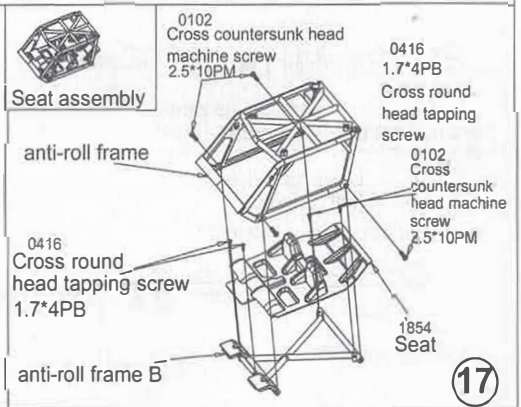
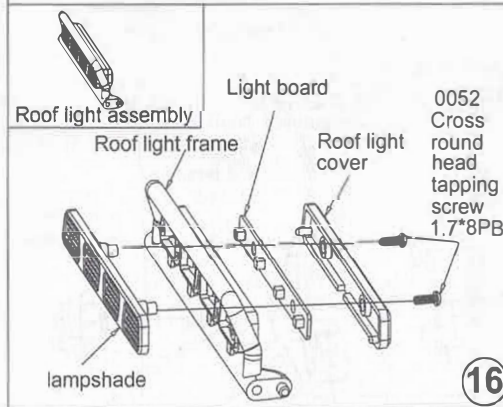
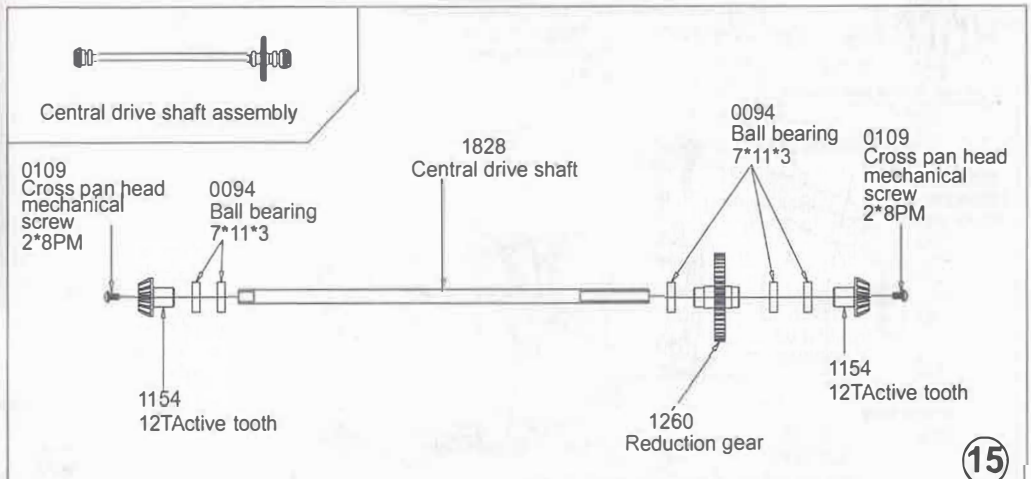
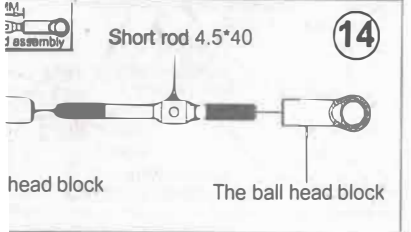
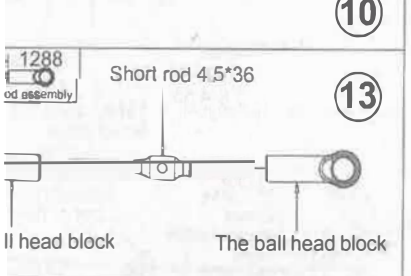
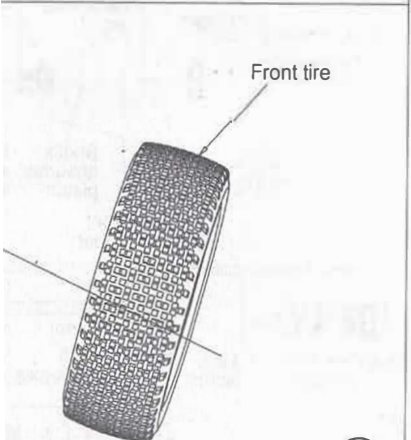
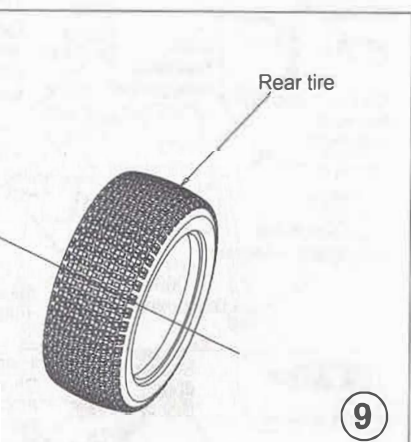
6

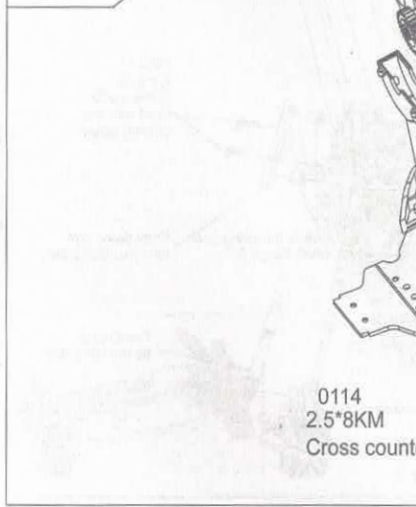
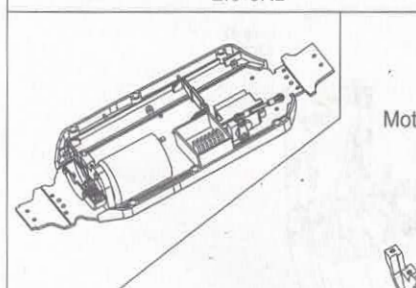
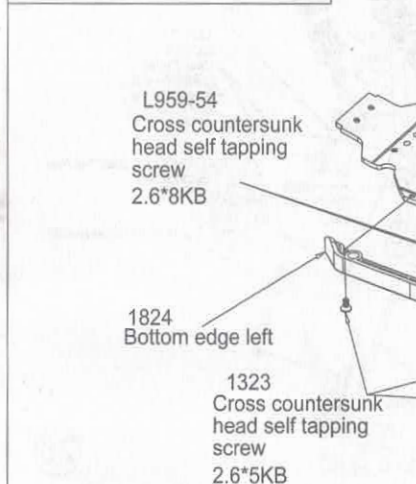
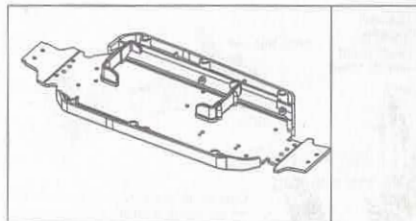
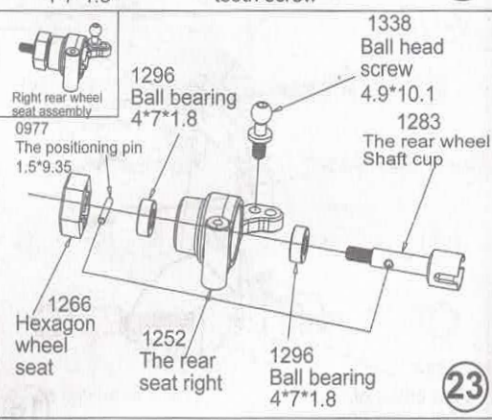
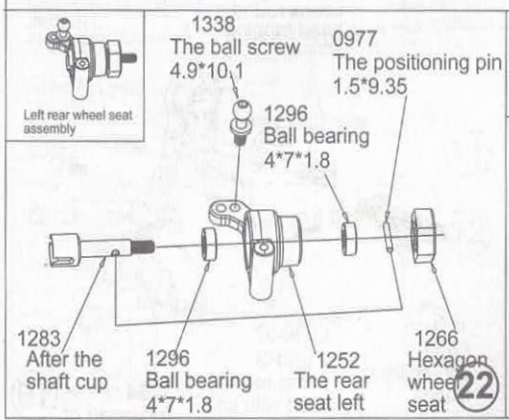
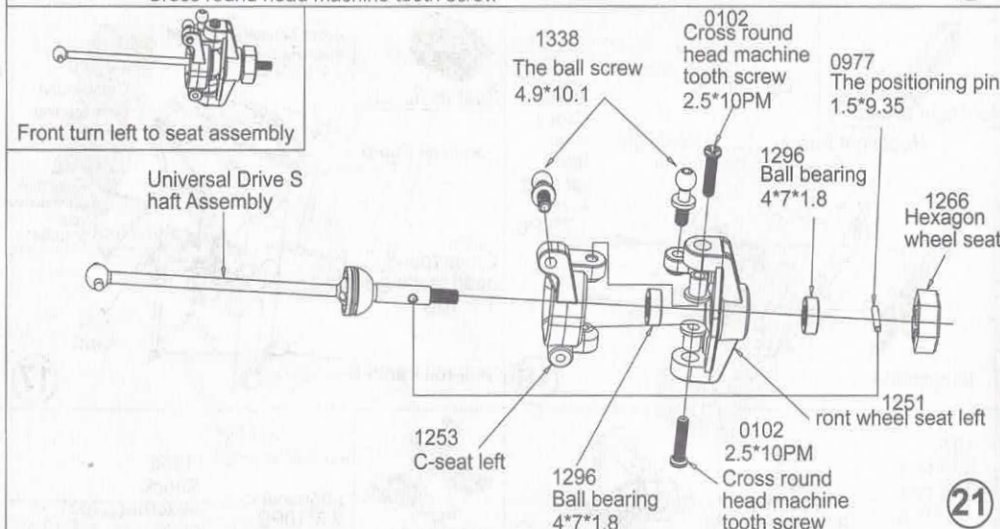
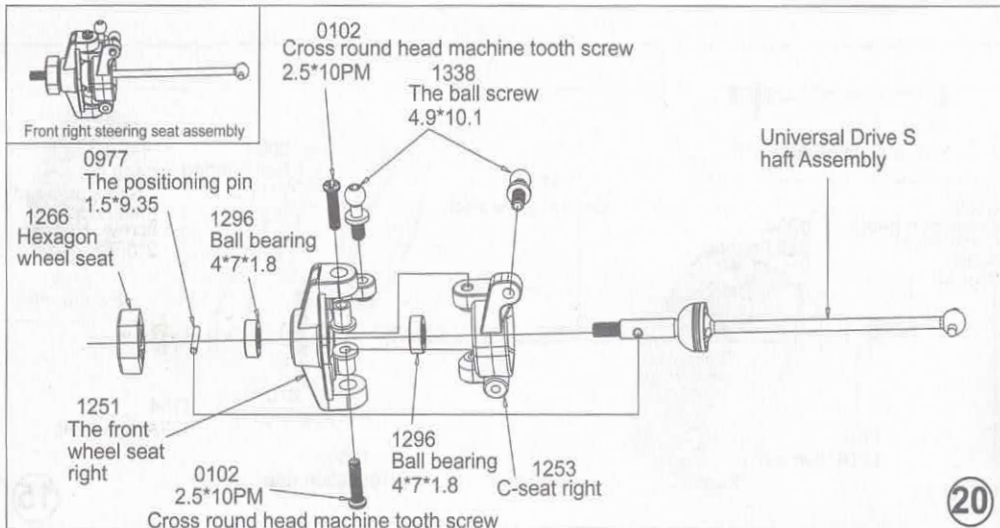




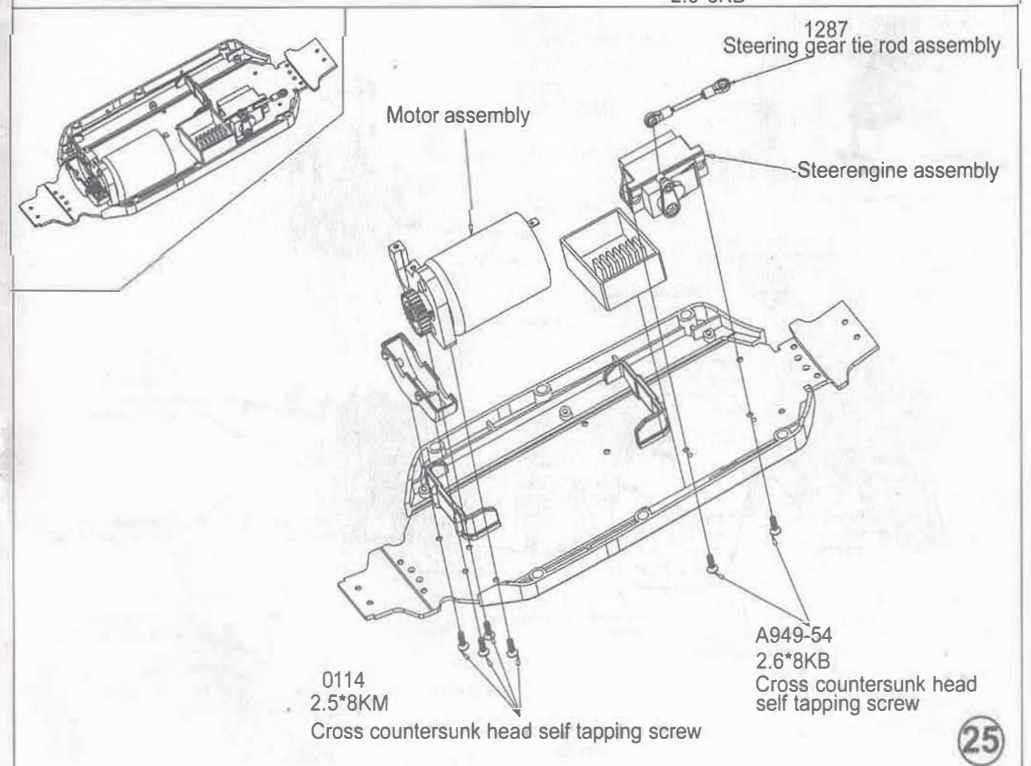
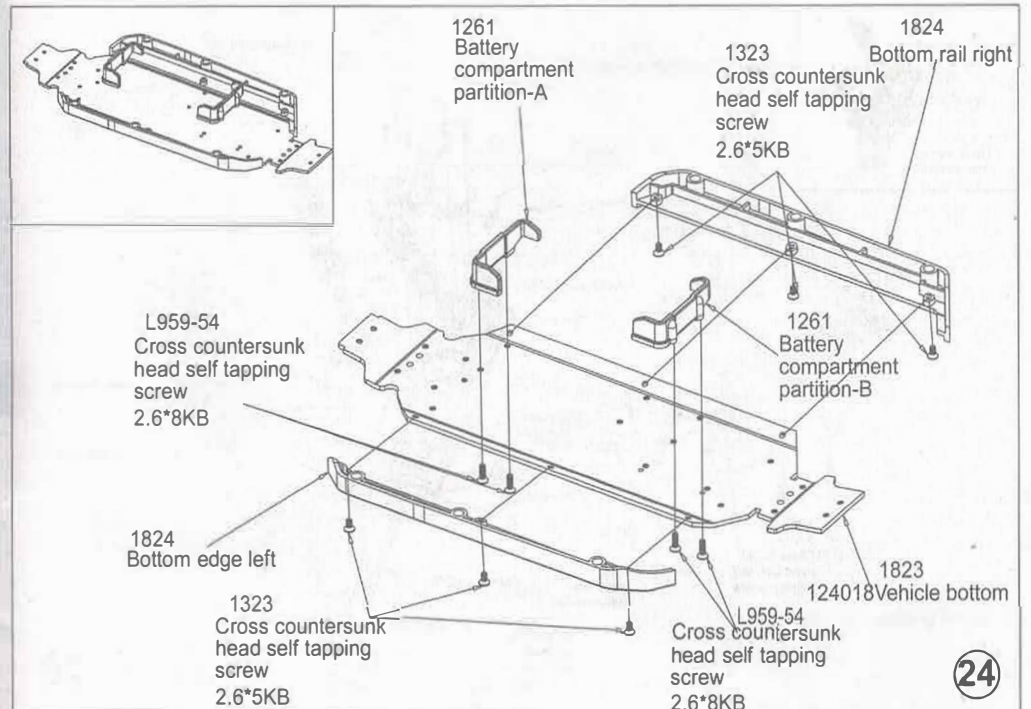
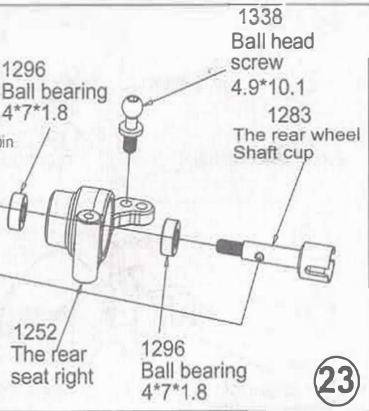
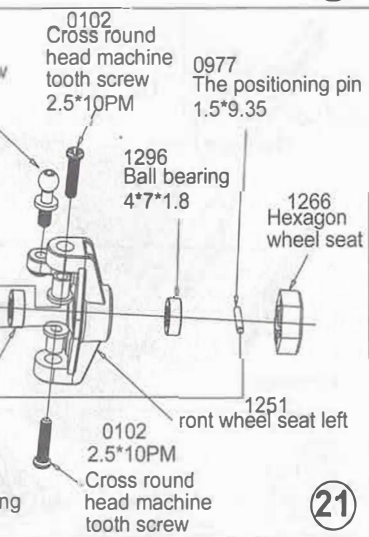
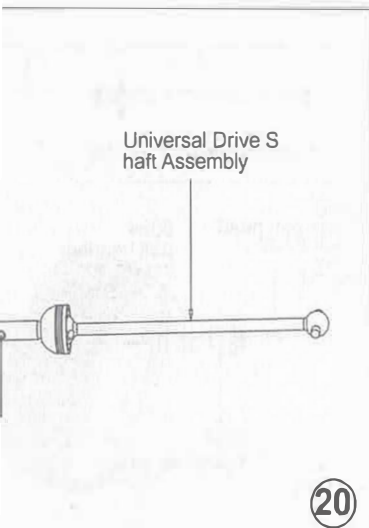


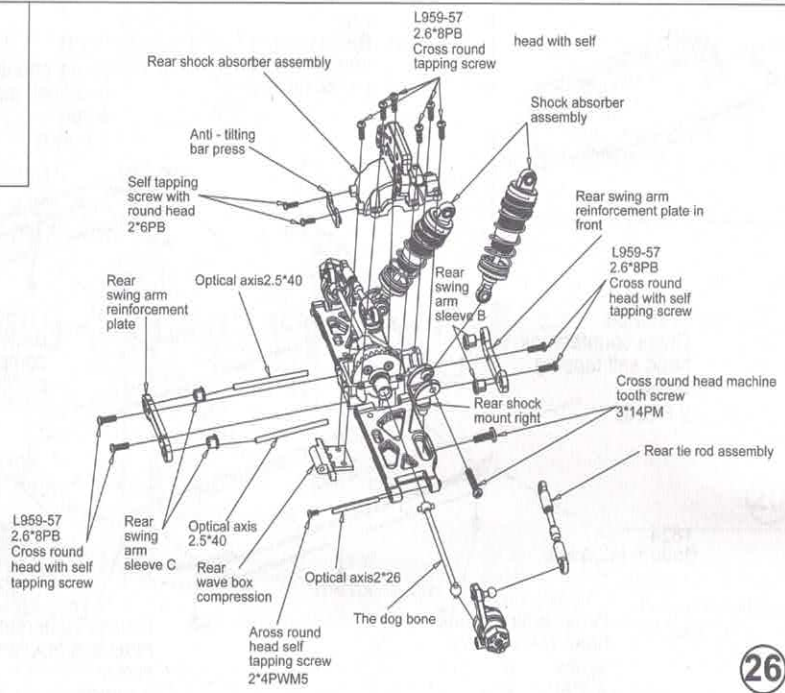
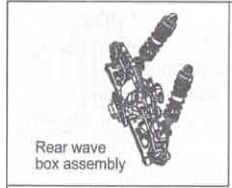




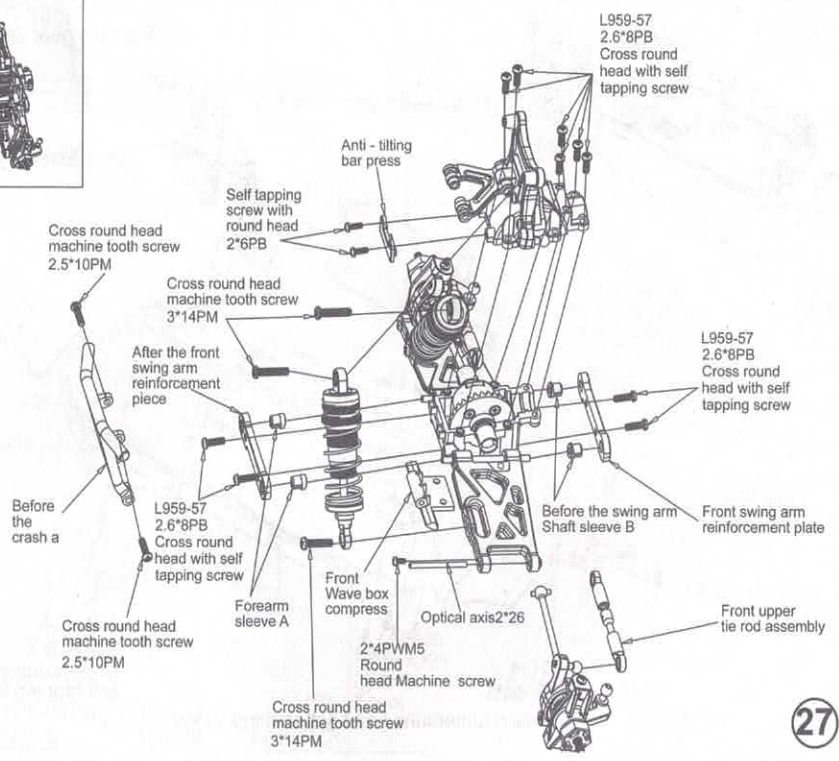
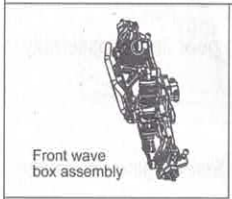




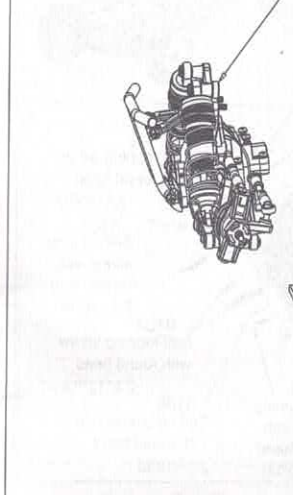
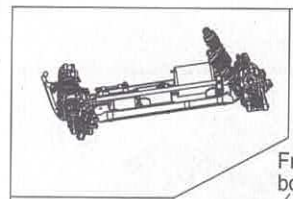


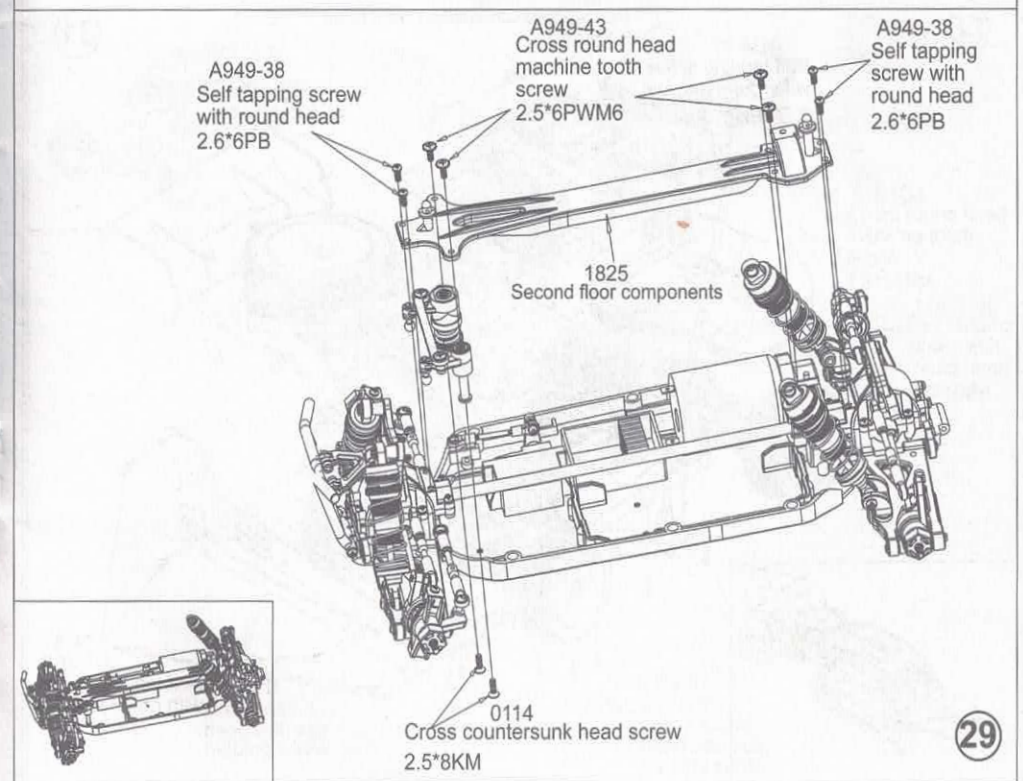
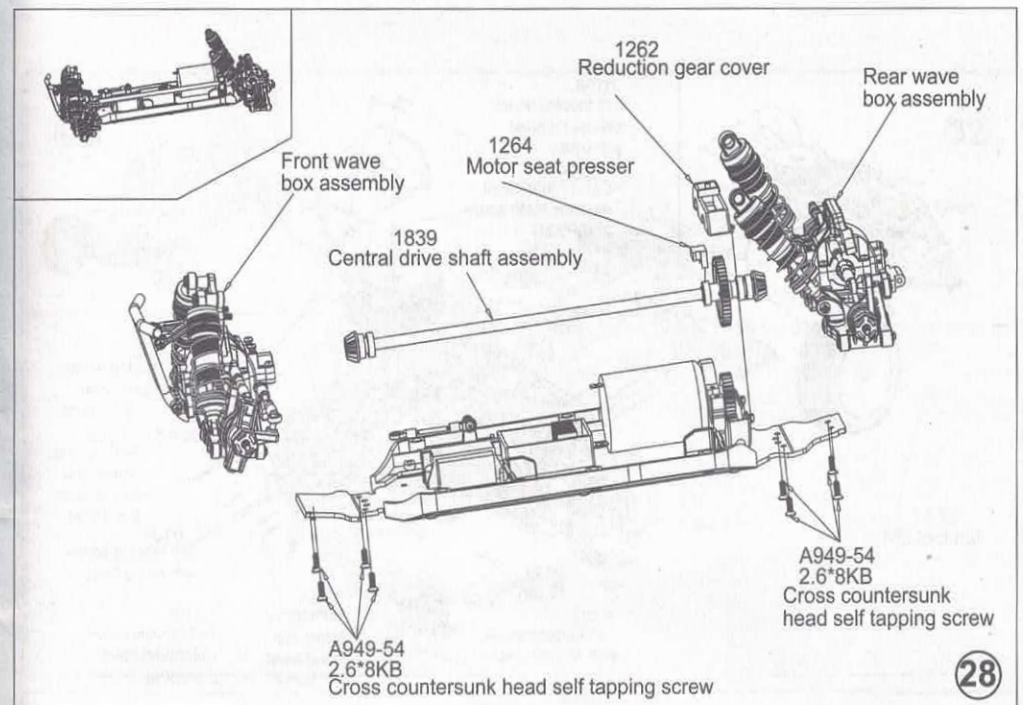
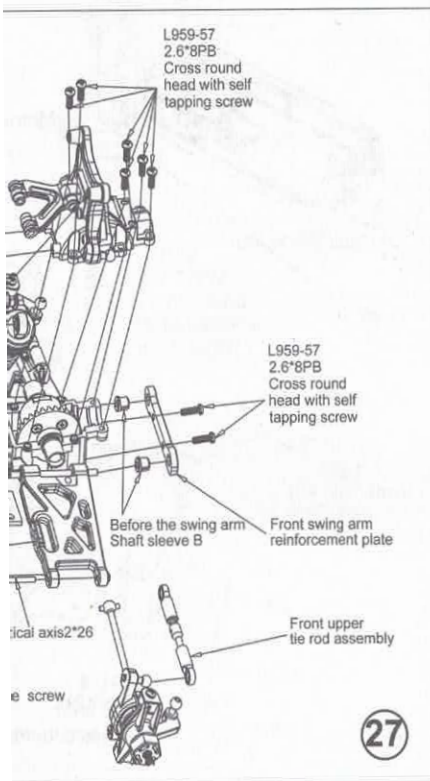
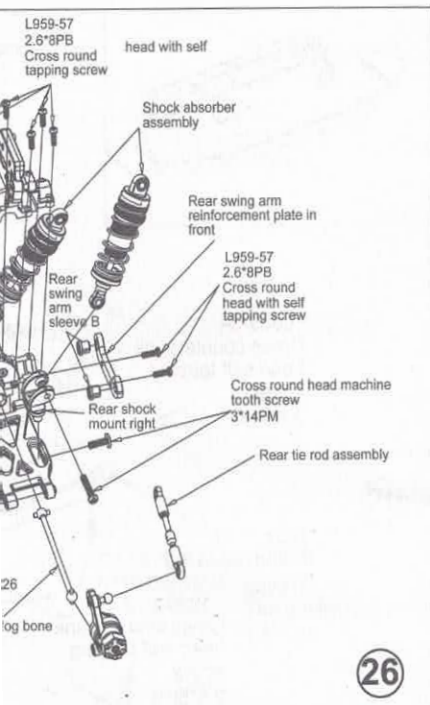


26



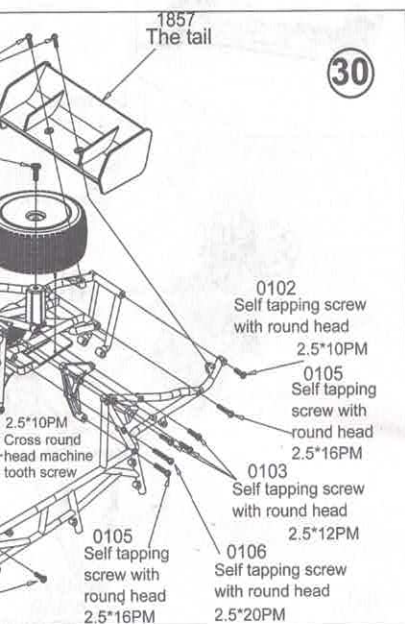
27



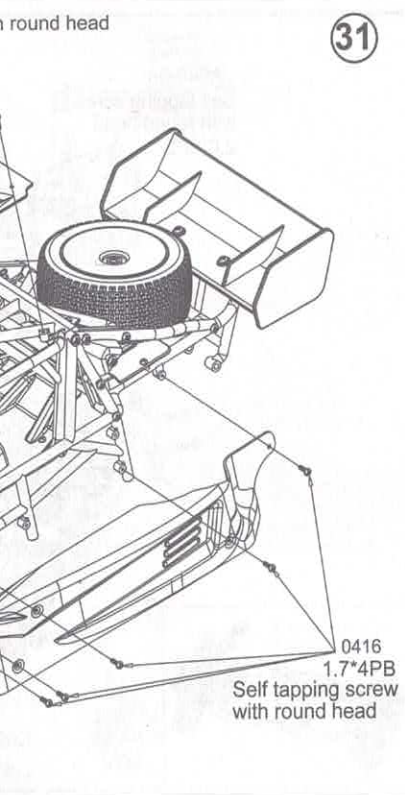




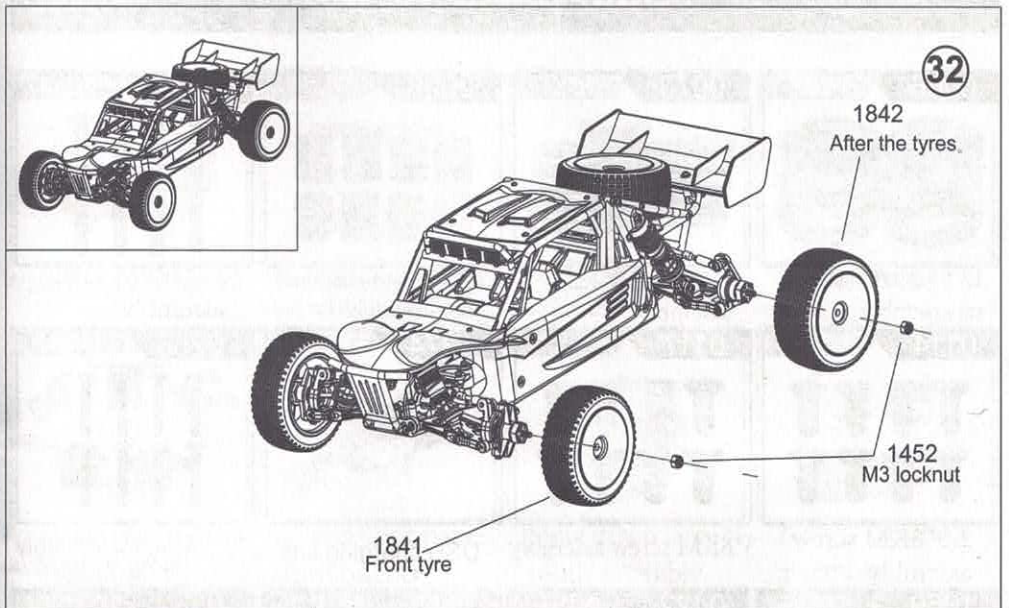




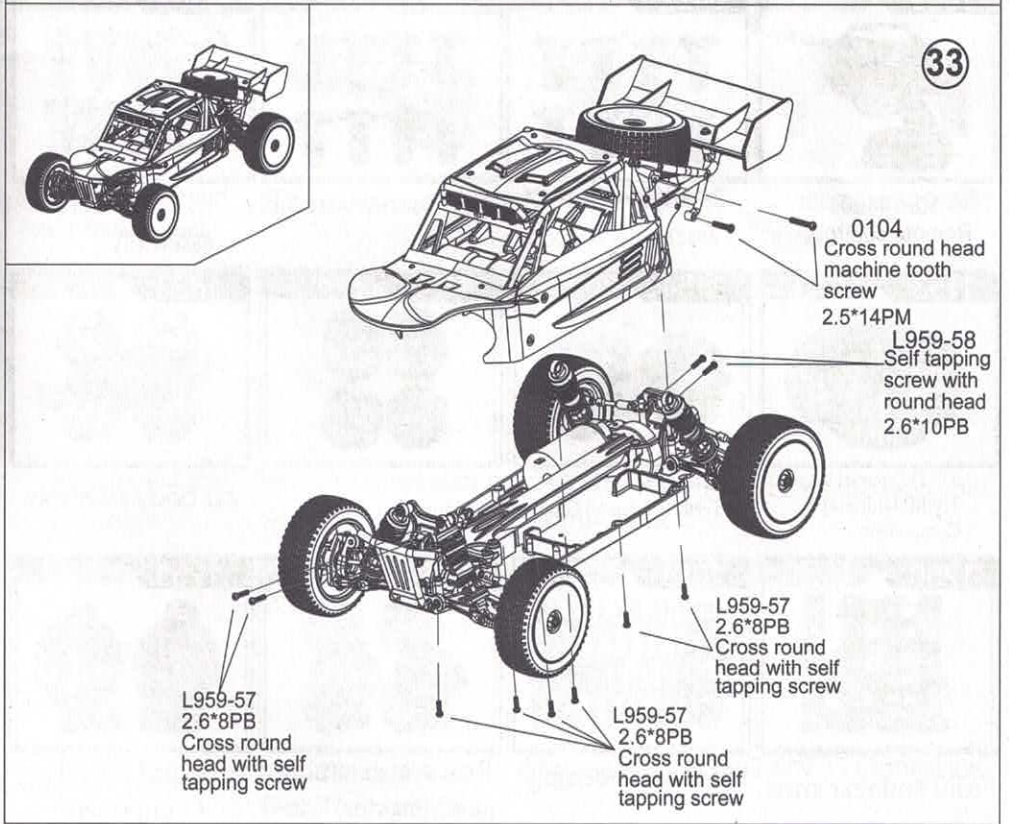
30



31



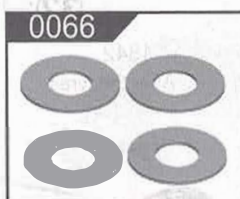
32



33

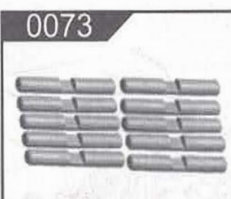


# Sale parts view



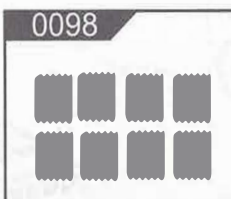
0066

12 \* 5.2 \* 0.2 gasket set assembly



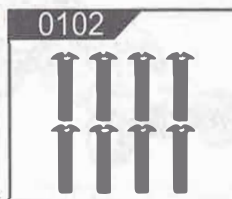
0073

Differential shaft assembly



0098

M3\*3 Inner hexagonal screw assembly



0102

2.5\*10PM screw assembly



0114

2.5\*8KM screw assembly



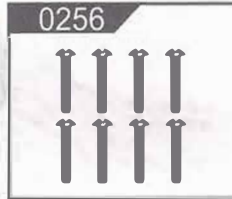
0117

3\*8KM screw assembly



1374

USB charging line



0256

3\*12PM screw assembly



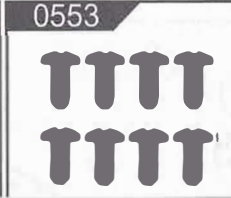
1669

V2-144001 Remote controller



0422

2 \* 6KM screw assembly



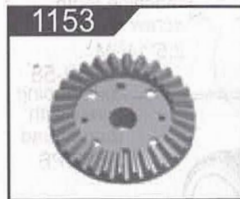
0553

2 \* 6PB screw assembly



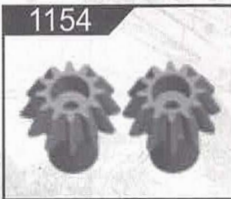
0582

ST2\*7PB screw assembly



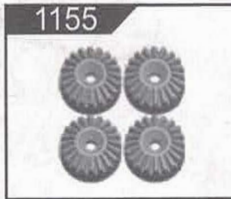
1153

30T Differential Large Teeth(Hardware) Component



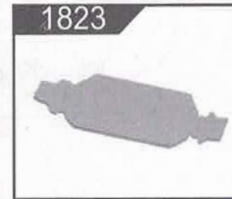
1154

12T Active Teeth(Hardware) Group



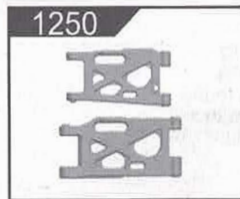
1155

24T Differential Large Planetary Teeth(Hardware) Group



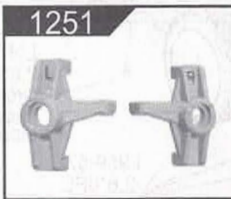
1823

car body assembly



1250

Front and rear arms



1251

Front seat assembly



1252

Rear seat assembly



1253

Type C Block Component



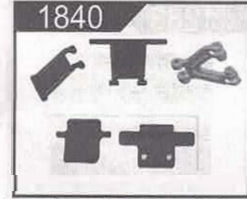
1254

Wave Box Component



1824

Bottom assembly



1840

Front and rear collision avoidance group



1825

Second component



1262

Speed gear upper and lower cover assembly



1263

Tiller arm



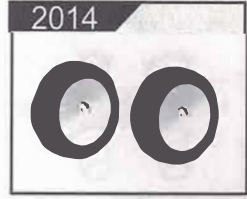
1266

Hexagonal seat assembly



1267

Front and sleeve



2014

Back tire assembly



1271

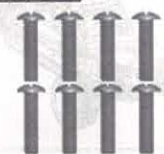
10T Differential Teeth(Hardware)

ew



hexagonal  
nibly

0102

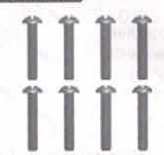


2.5\*10PM screw  
assembly



arging line

0256



3\*12PM screw assembly



ew assembly

0582

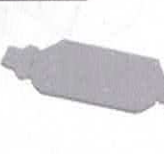


ST2\*7PB screw  
assembly



Large Planetary  
e) Group

1823



car body assembly



assembly

1253



Type C Block  
Component

## Sale parts view

1254



Wave Box Component

1824



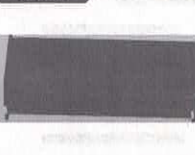
Bottom side guard  
assembly

1256



Ball head support  
assembly

1857



Tail group

1840



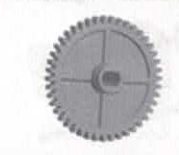
Front and rear collision  
avoidance group

1825



Second floor panel  
components

1260



Slow down large  
tooth assembly

1261



Battery partition  
assembly

1262



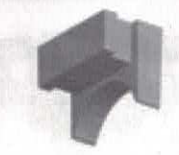
Speed gear upper and  
lower cover assembly

1263



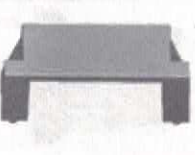
Tiller arm assembly

1264



Motor seat press  
component

1265



Steering seat press  
assembly

1266



Hexagonal seat  
assembly

1267



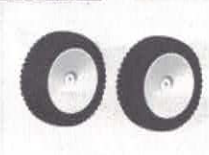
Front and rear arm  
sleeve

1268



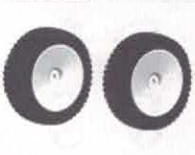
Switch to clutch  
component

2013



Front tire assembly

2014



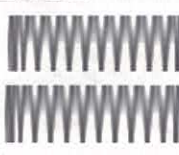
Back tire assembly

1271



10T Differential Asteroid  
Teeth(Hardware) Group

1845



Front shock spring set

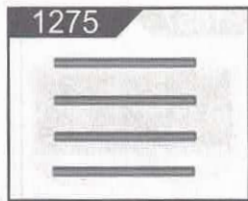
1274



1.5\*9.35 Optical axis

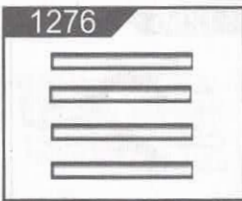


# Sale parts view



1275

1\*9 Optical axis



1276

2.5\*40 Optical axis



1277

2\*26 Optical axis



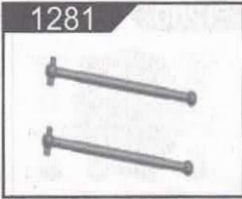
1278

Shock absorber shaft component



1279

Buffer spring assembly



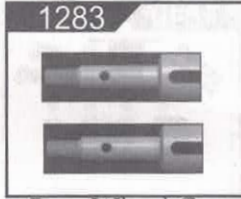
1281

Dog bone assembly



1282

Universal drive shaft assembly



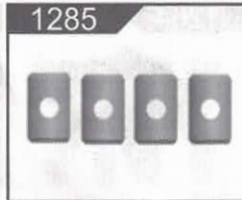
1283

Rear Wheel Cup Component



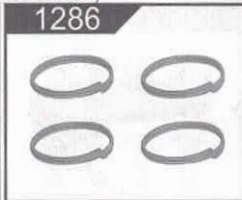
1284

Front Wheel Cup Component



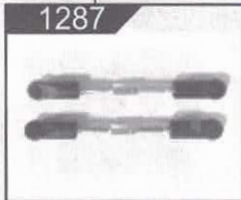
1285

Cross shaft assembly



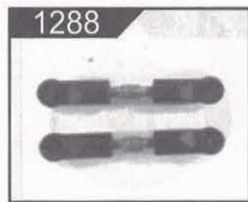
1286

Universal cup spring assembly



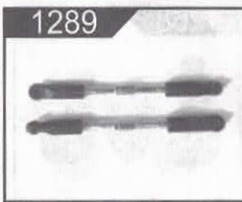
1287

Steering gear lever assembly



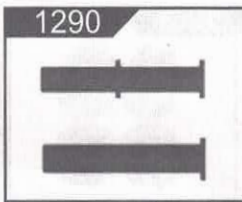
1288

Short pull bar assembly



1289

Long pull bar assembly



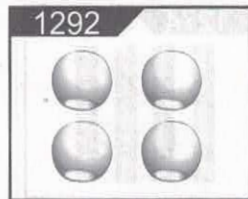
1290

Steering column assembly



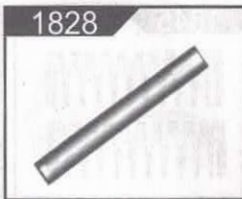
1291

Steering column sleeve component



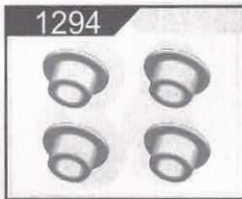
1292

Ball Head Component



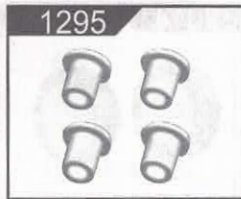
1828

Central Transmission Axis Component



1294

6 \* 2.7 flange sleeve assembly



1295

6 \* 5.2 flange sleeve assembly

# Sale



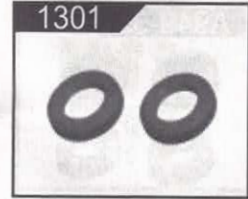
1296

Ball bearing assembly



1298

Shock absorber cylinder assembly



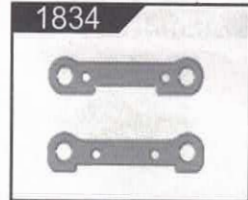
1301

Spring seat assembly



1844

Left and right group fixed base of rear suspension



1834

Front swing arm reinforcement module



1835

Backswing arm reinforcement



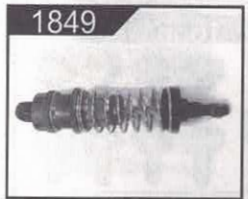
1309

Differential



2005

Receiver bracket assembly



1849

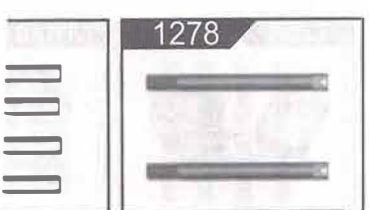
Front shock mount



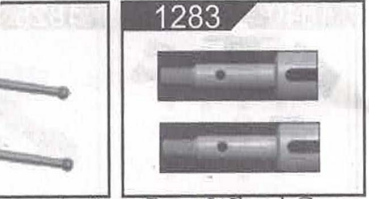
1323

ST2.6\*5KB suspension assembly

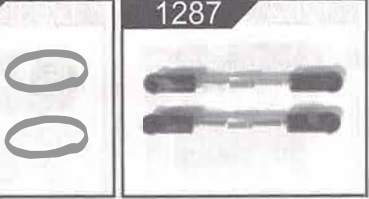
**W**



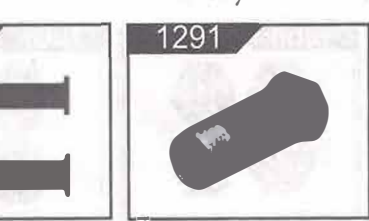
al axis  
1278 Shock absorber shaft component



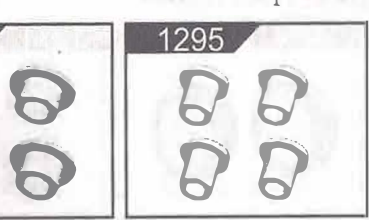
rive shaft  
1283 Rear Wheel Cup Component



cup spring  
1287 Steering gear lever assembly

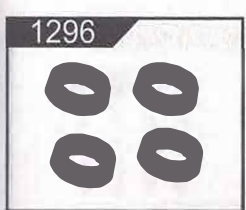


column  
1291 Steering column sleeve component



age sleeve  
1295 6 \* 5.2 flange sleeve assembly

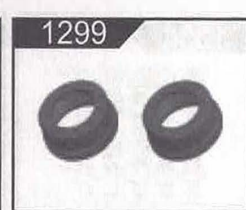
**Sale parts view**



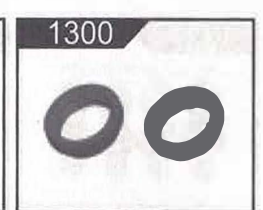
1296 Ball bearing assembly



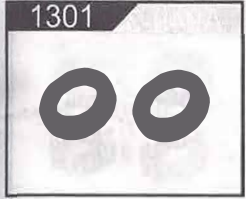
1298 Shock absorber cylinder assembly



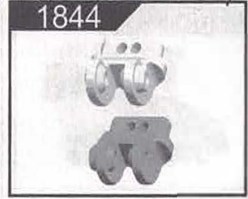
1299 Shock absorber cap assembly



1300 Regulate Ring Component



1301 Spring seat assembly



1844 Left and right groups of lower fixed base of rear shock absorber



2006 Motor Block Component



1304 Steering connecting rod assembly



1834 Front swing arm reinforcement module



1835 Backswing arm reinforcement module



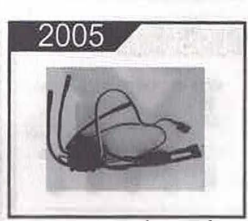
2003 Rudder assembly



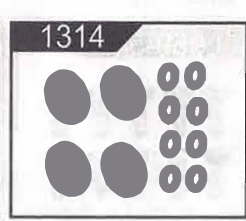
2004 Motor components



1309 Differential



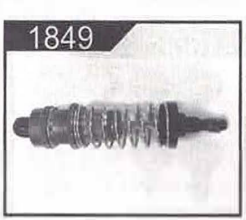
2005 Receiver board assembly



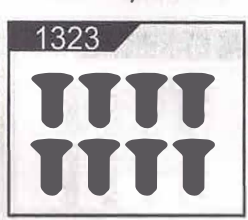
1314 Type 0 assembly



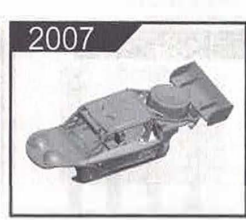
1315 Coaxial component



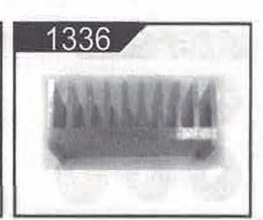
1849 Front shock mount



1323 ST2.6\*5KB screw assembly



2007 Car shell components



1336 Heat Discharge Group assembly

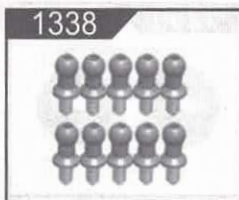


# Sale parts view



1337

4.9\*13.6 Ball Head screw assembly



1338

4.9\*10.6 Ball Head screw assembly



A202-04

4.0\*9.5 Ball Head screw assembly



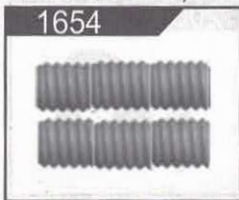
A202-15

ST2\*8KB screw assembly



A303-39

ST2.6\*6PWB6 screw assembly



1654

3 \* 3 Hexagon socket screw



1651

Magic paste group



A949-35

Ball bearings 7 \* 11 \* 3 groups



A949-38

ST2.6\*6PB screw assembly



A949-43

2.5\*6PWM6 Screw assembly



A949-49

M3 Loose nut assembly



A959-B-15

Motor teeth 27T group



1652

Battery assembly



L959-54

ST2.6\*8KB screw assembly



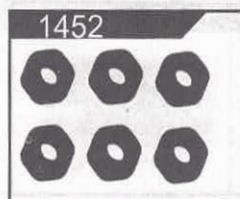
L959-57

ST2.6\*8PB screw assembly



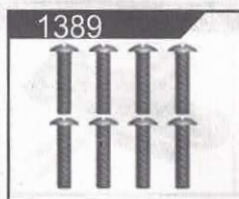
L959-58

ST2.6\*10PB screw assembly



1452

M3 flange nut



1389

3 \* 20pm Cross round head machine screw



1453

2\*4PWM5 Cross round head machine screw



1656

2.5\*8PWM6 Cross round head machine screw

# Sale



0416

ST1.7 \* 4PB screw assembly



0552

ST1.7 \* 8PB screw assembly



0106

2.5 \* 20PM Cross pan head screw group



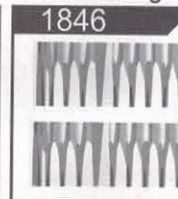
0104

2.5 \* 14PM Cross pan head screw group



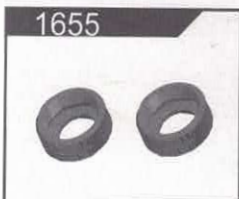
1723

3 \* 10KM Cross countersunk screw group



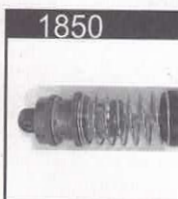
1846

Rear shock spring



1655

Shock proof sealing cap 11 \* 4.5 sets



1850

Rear shock absorber assembly



2009

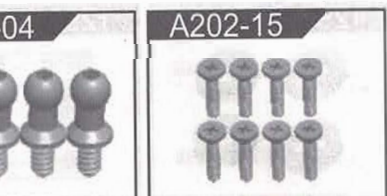
Car head group



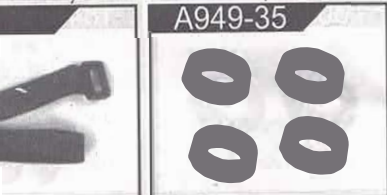
2010

Car roof cover group

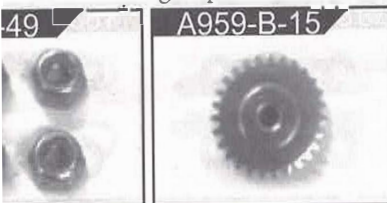
ew



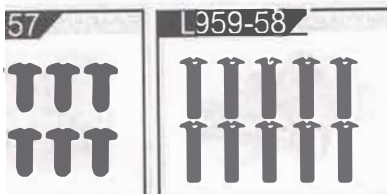
Ball Head assembly



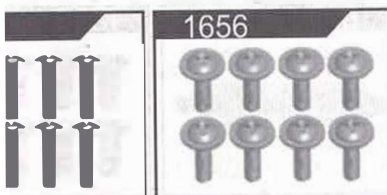
Waste group



Motor teeth 27T group



8PB screw assembly



Cross round head machine screw

Sale parts view



ST1.7 \* 4PB screw assembly



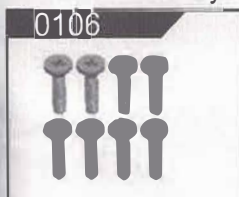
ST1.7 \* 8PB screw assembly



ST1.7 \* 6PB screw assembly



2.5 \* 16 PM Cross pan head screw group



2.5 \* 20PM Cross pan head screw group



2.5 \* 14PM Cross pan head screw group



3 \* 10PWM7 screw assembly



3 \* 14PM Cross pan head screw group



3 \* 10KM Cross countersunk screw group



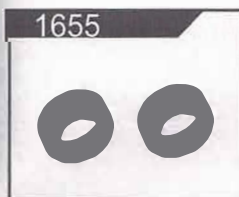
Rear shock spring set



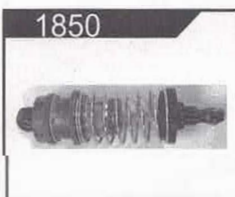
Rear shock absorber axis group



Rear shock block



Shock proof sealing cap 11 \* 4.5 sets



Rear shock absorber assembly



Central drive shaft assembly



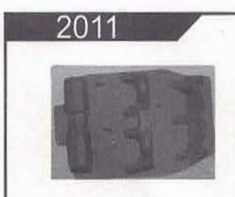
Left and right sides of car shell



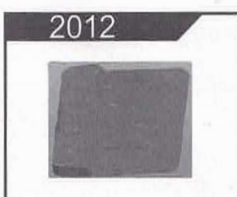
Car head group



Car roof cover group

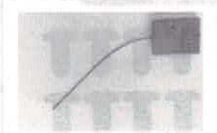







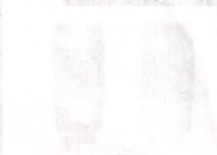













Seat group

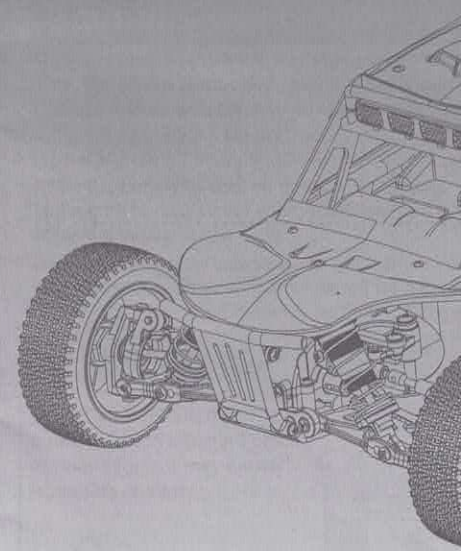


Cab rear seat group



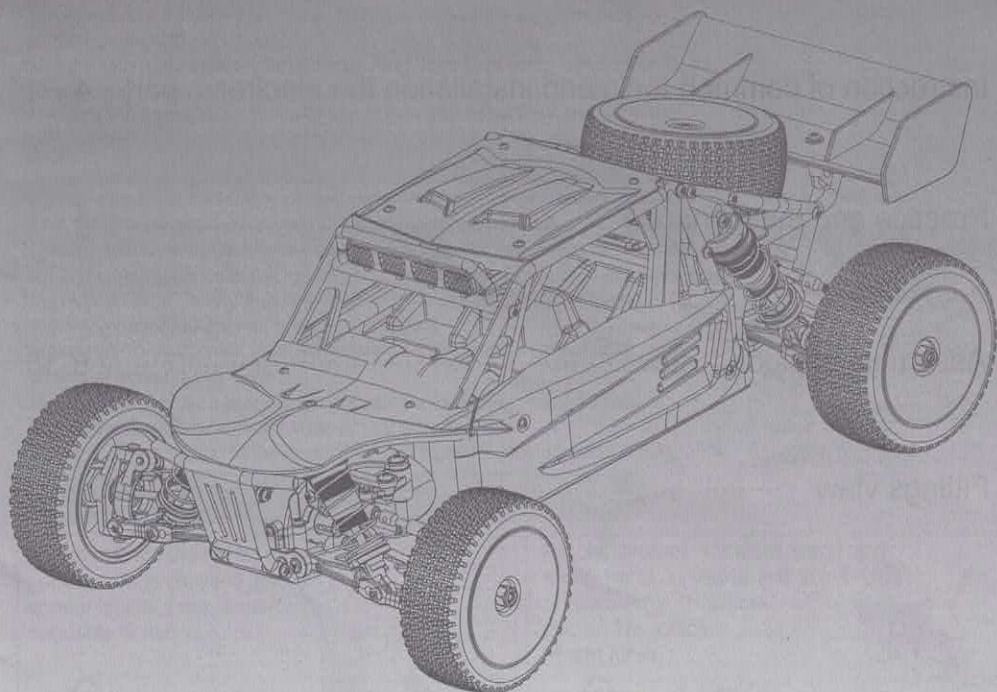
<p>1975</p> 	<p>1989</p> 		
<p>Brushless receiver</p>	<p>Zinc alloy cross sleeve group</p>	<p>Screw assembly</p>	<p>Screw assembly</p>
			
<p>Screw assembly</p>	<p>Screw assembly</p>	<p>Screw assembly</p>	<p>Screw assembly</p>
			
<p>Rear shock block</p>	<p>Rear shock block</p>	<p>Rear shock block</p>	<p>Rear shock block</p>
			
<p>Left and right sides of car shell</p>	<p>Shock proof sealing cap</p>	<p>Rear shock assembly</p>	<p>Shock proof sealing cap</p>
			
<p>Cap rear wheel group</p>	<p>Cap rear wheel group</p>	<p>Cap rear wheel group</p>	<p>Cap rear wheel group</p>

# 1:12 Ele Climbing



Caution: This model is not a toy, It  
Please use this instruction and the  
The instruction is suitable for a ty

# 1:12 Electric 4WD Climbing car



Caution: This model is not a toy, it is designed for user over 14 years of age.

Please use this instruction and the R/C system instruction at the same time.

The instruction is suitable for a type of model whose number is 124016